

BA9S DC Bayonet type LED Lamp

BA9S DC Bayonet type LED Lamp is LED which requires a resistor in series to permit direct connection to DC 4.5V.

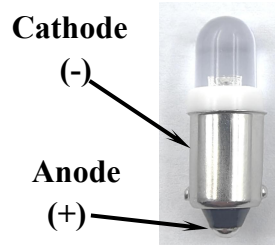
■ Features

- High Luminous Intensity
- 8mm Round LED
- Color Transparent
- DC 4.5V

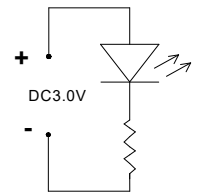
■ Applications

- Bicycle Light / Torch
- Dashboard Signal / Automotive Lighting

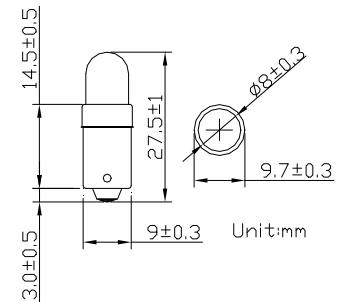
Photo



Circuit Diagram



Outline Dimension

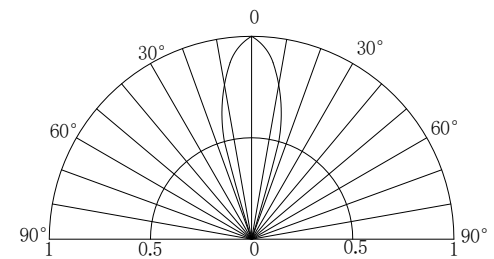


■ Absolute Maximum Rating

(Ta=25°C)

Item	Symbol	Value	Unit
DC Forward Voltage	V _F	5.5	V
DC Forward Current	I _F	30	mA
Power Dissipation	P _D	0.165	W
Operating Temperature	T _{opr}	-30 ~ +85	°C
Storage Temperature	T _{stg}	-40 ~ +100	°C
Lead Soldering Temperature	T _{sol}	260°C/5sec	-

■ Directivity



■ Electrical -Optical Characteristics

(Ta=25°C)

Part Number	Emitting Color		Lens Type	Control Voltage DC (V)*			Wd(nm)/CCT(K)*			Luminous Intensity* (mcd)		
				Min.	Typ.	Max.	Min.	Typ.	Max.	Min.	Typ.	Max.
OEDB-W54K8B31F	Cool White		Water Clear	-	4.5	5.5	CCT:8500-18000K			20000	25000	-
OEDB-W44K8B31F	Pure White		Water Clear				CCT:5500-8500K			20000	25000	-
OEDB-M54K8B31F	Warm White	■	Water Clear				CT:2700-3300K			20000	25000	-
OEDB-B5DA8B33F	Blue	■	Blue Transparent				465	470	475	10000	12000	-
OEDB-G58A8B33F	Green	■	Green Transparent				520	525	530	20000	25000	-
OEDB-Y5PA8B33F	Yellow	■	Yellow Transparent				585	590	595	12000	14400	-
OEDB-O5PA8B33F	Orange	■	Orange Transparent				600	605	610	12000	14400	-
OEDB-R5PA8B33F	Red	■	Red Transparent				620	625	630	12000	14400	-

*1 Tolerance of measurements of luminous intensity is +15%

*2 Tolerance of measurements of forward voltage is ±0.1V

*3 Tolerance of measurements of dominant wavelength is ±1nm

*4 Tolerance of measurements of color temperature is ±10%