

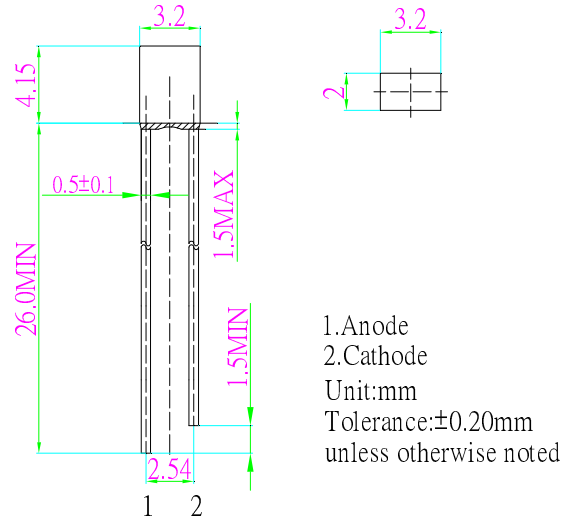
■Features

- High Luminous LEDs
- 2x3x4mm Rectangular Standard Directivity
- Long Lifetime Operation
- UV Resistant Epoxy
- Color Diffused / White Diffused

■Applications

- Games & Toys
- Indications
- Back Lighting
- Decorations

■Outline Dimension



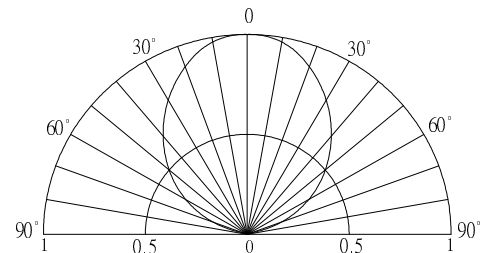
■Absolute Maximum Rating

(Ta=25°C)

Item	Symbol	Value		Unit
		W/M/B/PG	YG/Y/O/R	
DC Forward Current	I _F	25	30	mA
Pulse Forward Current#	I _{FP}	80	100	mA
Reverse Voltage	V _R	5	5	V
Power Dissipation	P _D	90	78	mW
Operating Temperature	T _{opr}	-40 ~ +85		°C
Storage Temperature	T _{stg}	-40~ +85		°C
Lead Soldering Temperature	T _{sol}	260°C/5sec		-

#Pulse width Max 0.1ms, Duty ratio max 1/10

■Directivity



■Electrical -Optical Characteristics

(Ta=25°C)

Part Number	Color		V _F (V)*			I _R (μA)	I _v (mcd)*			CCT/λD(nm)*			2θ1/2(deg)
			Min.	Typ.	Max.		Min.	Typ.	Max.	Min.	Typ.	Max.	
			I _F =20mA			V _R =5V		I _F =20mA					
OSW5YK7BA2B	White	W	-	3.1	3.6	10	500	750	-	CCT:8000-18000K			100
OSM5YK7BA2B	Warm White	M	-	3.1	3.6	10	330	500	-	CCT:2700-3200K			100
OSB5YU7BA4B	Blue	B	-	3.1	3.6	10	150	220	-	465	470	475	100
OSG5TA7BA4B	Pure Green	PG	-	3.1	3.6	10	330	500	-	520	525	530	100
OSG8HA7BA4B	Yellow Green	YG	-	2.1	2.6	10	68	100	-	565	570	575	100
OSY5JA7BA4B	Yellow	Y	-	2.1	2.6	10	100	150	-	585	590	595	100
OSO5JA7BA4B	Orange	O	-	2.1	2.6	10	100	150	-	600	605	610	100
OSR5JA7BA4B	Red	R	-	2.1	2.6	10	100	150	-	620	625	630	100

*1 Tolerance of measurements of dominant wavelength is ±1nm

*2 Tolerance of measurements of chromaticity coordinate / CCT is ±10%

*3 Tolerance of measurements of luminous intensity is ±15%

*4 Tolerance of measurements of forward voltage is ±0.1V