

■ Description

This LED is built with two different or same color LEDs. It builds with resistors to operate with wide operation voltage of DC3-15V.

■ Features

- Wide Input Voltage
- Cost Saving and Space Saving
- Water Clear Type
- Bi-color Common Cathode Type

■ Applications

- Toys/Game/Audio
- TTL/Cmos Compatible
- Arduino/Pi Pico/Steam Kit
- Other electronics products

■ Absolute Maximum Rating

(Ta=25°C)

Item	Symbol	Value	Unit
DC Forward Voltage	V _F	15	V
Reverse Voltage	V _R	12	V
Power Dissipation	P _D	190	mW
Operating Temperature	Topr	-30 ~ +85	°C
Storage Temperature	Tstg	-40 ~ +100	°C
Lead Soldering Temperature	Tsol	260°C/5sec	-

■ Electrical -Optical Characteristics (Ta=25°C)

Color	I _F (mA)			I _v (mcd)*			λD(nm)/CCT(K)*			θ1/2(deg)
	Min.	Typ.	Max.	Min.	Typ.	Max.	Min.	Typ.	Max.	Typ.
	V _F =9V									
Red	-	7.5	-	-	4200	-	620	625	630	30
Yellow	-	7.5	-	-	4200	-	585	590	595	
Blue	-	8.0	-	-	2500	-	465	470	475	
Pure Green	-	8.0	-	-	7000	-	520	525	530	
Cool White	-	8.0	-	-	7000	-	CCT:8500-18000K			
Warm White	-	8.0	-	-	7000	-	CCT:2700-3300K			

■ Part Number

Color	Red	Yellow	Pure Green	Blue
Red	OSRRMC8131A-VV	OSRYMC8131A-VV	OSRPMC8131A-VV	OSRBMC8131A-VV
Yellow	OSRYMC8131A-VV	OSYYMC8131A-VV	OSYPMC8131A-VV	OSYBMC8131A-VV
Pure Green	OSRPMC8131A-VV	OSYPMC8131A-VV	OSPPDC8131A-VV	OSPBDC8131A-VV
Blue	OSRBMC8131A-VV	OSYBMC8131A-VV	OSPBDC8131A-VV	OSBBDC8131A-VV
Cool White	OSRWMC8131A-VV	OSYWMC8131A-VV	OSPWDC8131A-VV	OSBWDC8131A-VV
Warm White	OSRMMC8131A-VV	OSYMMC8131A-VV	OSPMDC8131A-VV	OSBMDC8131A-VV

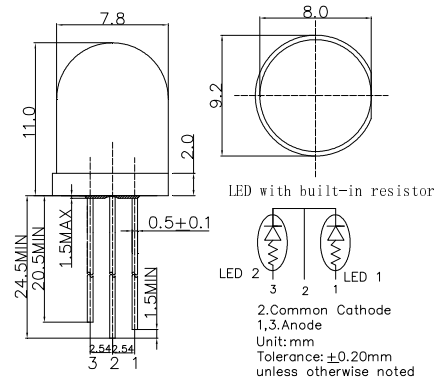
*1 Tolerance of measurements of chromaticity coordinates is ±10%

*2 Tolerance of measurements of dominant wavelength is ±1nm

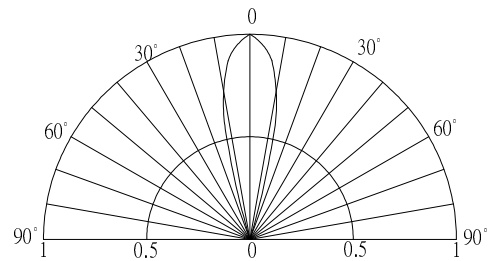
*3 Tolerance of measurements of luminous intensity is ±15%

*4 Tolerance of measurements of forward voltage is ±0.1V

■ Outline Dimension



■ Directivity



■ Optical Characteristic Curves

