

■ Description

This LED is built with two different or same color LEDs. It builds with resistors to operate with wide operation voltage of DC3-15V.

■ Features

- Wide Input Voltage
- Cost Saving and Space Saving
- Water Clear Type
- Bi-color Common Anode Type

■ Applications

- Toys/Game/Audio
- TTL/Cmos Compatible
- Arduino/Pi Pico/Steam Kit
- Other electronics products

■ Absolute Maximum Rating

(Ta=25°C)

Item	Symbol	Value	Unit
DC Forward Voltage	V _F	15	V
Reverse Voltage	V _R	12	V
Power Dissipation	P _D	190	mW
Operating Temperature	Topr	-30 ~ +85	°C
Storage Temperature	Tstg	-40 ~ +100	°C
Lead Soldering Temperature	Tsol	260°C/5sec	-

■ Electrical -Optical Characteristics (Ta=25°C)

Color	I _F (mA)			I _v (mcd)*			λD(nm)/CCT(K)*			θ1/2(deg)
	Min.	Typ.	Max.	Min.	Typ.	Max.	Min.	Typ.	Max.	Typ.
	V _F =9V									
Red	-	7.5	-	-	4200	-	620	625	630	30
Yellow	-	7.5	-	-	4200	-	585	590	595	
Blue	-	8.0	-	-	2500	-	465	470	475	
Pure Green	-	8.0	-	-	7000	-	520	525	530	
Cool White	-	8.0	-	-	7000	-	CCT:8500-18000K			
Warm White	-	8.0	-	-	7000	-	CCT:2700-3300K			

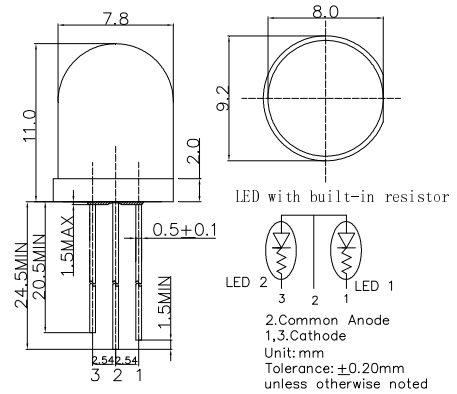
■ Part Number

Color	Red	Yellow	Pure Green	Blue
Red	OSRRMA8131A-VV	OSRYMA8131A-VV	OSRPMA8131A-VV	OSRBMA8131A-VV
Yellow	OSRYMA8131A-VV	OSYYMA8131A-VV	OSYPMA8131A-VV	OSYBMA8131A-VV
Pure Green	OSRPMA8131A-VV	OSYPMA8131A-VV	OSPPDA8131A-VV	OSPBDA8131A-VV
Blue	OSRBMA8131A-VV	OSYBMA8131A-VV	OSPBDA8131A-VV	OSBBDA8131A-VV
Cool White	OSRWMA8131A-VV	OSYWMA8131A-VV	OSPWDA8131A-VV	OSBWDA8131A-VV
Warm White	OSRMMA8131A-VV	OSYMMMA8131A-VV	OSPMDA8131A-VV	OSBMMA8131A-VV

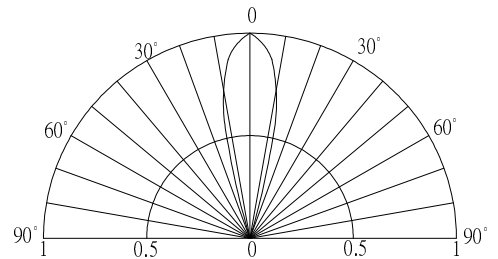
*1 Tolerance of measurements of chromaticity coordinates is ±10%
*3 Tolerance of measurements of luminous intensity is ±15%

*2 Tolerance of measurements of dominant wavelength is ±1nm
*4 Tolerance of measurements of forward voltage is ±0.1V

■ Outline Dimension



■ Directivity



■ Optical Characteristic Curves

