

**■ Description**

This LED is built with two different or same color LEDs. It builds with resistors to operate with wide operation voltage of DC3-15V.

**■ Features**

- Wide Input Voltage
- Cost Saving and Space Saving
- Water Clear Type
- Bi-color Common Anode Type

**■ Applications**

- Toys/Game/Audio
- TTL/Cmos Compatible
- Arduino/Pi Pico/Steam Kit
- Other electronics products

**■ Absolute Maximum Rating**

(Ta=25°C)

Item	Symbol	Value	Unit
DC Forward Voltage	V <sub>F</sub>	15	V
Reverse Voltage	V <sub>R</sub>	12	V
Power Dissipation	P <sub>D</sub>	190	mW
Operating Temperature	Topr	-30 ~ +85	°C
Storage Temperature	Tstg	-40 ~ +100	°C
Lead Soldering Temperature	Tsol	260°C/5sec	-

**■ Electrical -Optical Characteristics** (Ta=25°C)

Color	I <sub>F</sub> (mA)			I <sub>v</sub> (mcd)*			λD(nm)/CCT(K)*			θ1/2(deg)
	Min.	Typ.	Max.	Min.	Typ.	Max.	Min.	Typ.	Max.	Typ.
	V <sub>F</sub> =9V									
Red	-	7.5	-	-	3000	-	620	625	630	30
Yellow	-	7.5	-	-	3000	-	585	590	595	
Blue	-	8.0	-	-	2180	-	465	470	475	
Pure Green	-	8.0	-	-	5800	-	520	525	530	
Cool White	-	8.0	-	-	5800	-	CCT:8500-18000K			
Warm White	-	8.0	-	-	5800	-	CCT:2700-3300K			

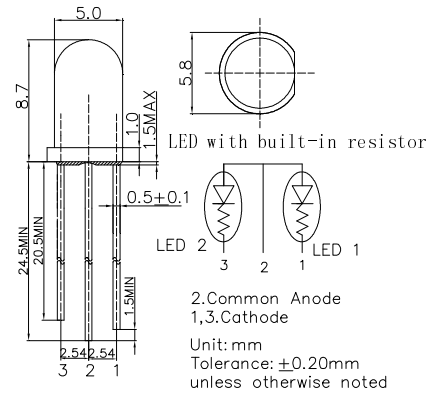
**■ Part Number**

Color	Red	Yellow	Pure Green	Blue
Red	OSRRMA5A31A-VV	OSRYMA5A31A-VV	OSRPMMA5A31A-VV	OSRBMA5A31A-VV
Yellow	OSRYMA5A31A-VV	OSYYMA5A31A-VV	OSYPMA5A31A-VV	OSYBMA5A31A-VV
Pure Green	OSRPMMA5A31A-VV	OSYPMA5A31A-VV	OSPMDA5A31A-VV	OSPBDA5A31A-VV
Blue	OSRBMA5A31A-VV	OSYBMA5A31A-VV	OSPBDA5A31A-VV	OSBMDA5A31A-VV
Cool White	OSRWMA5A31A-VV	OSYWMA5A31A-VV	OSPWDA5A31A-VV	OSBWDA5A31A-VV
Warm White	OSRMMA5A31A-VV	OSYMMMA5A31A-VV	OSPMMA5A31A-VV	OSBMMA5A31A-VV

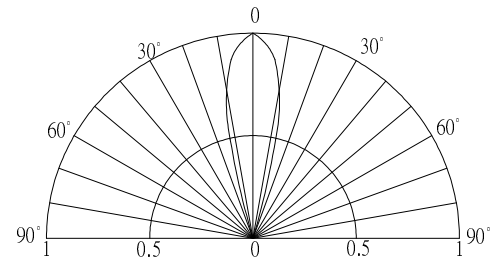
\*1 Tolerance of measurements of chromaticity coordinates is ±10%  
\*3 Tolerance of measurements of luminous intensity is ±15%

\*2 Tolerance of measurements of dominant wavelength is ±1nm  
\*4 Tolerance of measurements of forward voltage is ±0.1V

**■ Outline Dimension**



**■ Directivity**



**■ Optical Characteristic Curves**

