

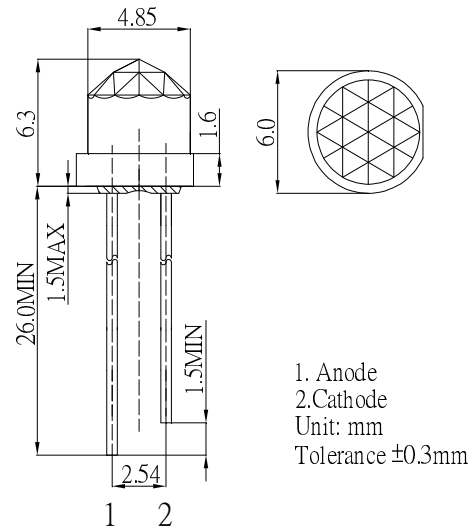
■ **Features**

- High Luminous LEDs
- Diamond Standard Directivity
- Long Lifetime Operation
- UV Resistant Epoxy
- Water Clear Type

■ **Applications**

- Small Area Illuminations
- Decoration
- Other Lighting

■ **Outline Dimension**



■ **Absolute Maximum Rating**

( $T_a=25^\circ\text{C}$ )

Item	Symbol	Value	Unit
DC Forward Current	$I_F$	30	mA
Pulse Forward Current#	$I_{FP}$	100	mA
Reverse Voltage	$V_R$	5	V
Power Dissipation	$P_D$	108	mW
Operating Temperature	$T_{opr}$	-30 ~ +85	$^\circ\text{C}$
Storage Temperature	$T_{stg}$	-40 ~ +100	$^\circ\text{C}$
Lead Soldering Temperature	$T_{sol}$	260 $^\circ\text{C}/5\text{sec}$	-

■ **Directivity**

#Pulse width Max 10ms , Duty ratio max 1/10

■ **Electrical -Optical Characteristics**

( $T_a=25^\circ\text{C}$ )

Item	Symbol	Condition	Min.	Typ.	Max.	Unit
DC Forward Voltage*	$V_F$	$I_F=20\text{mA}$	2.9	3.1	3.6	V
DC Reverse Current	$I_R$	$V_R=5\text{V}$	-	-	10	$\mu\text{A}$
Luminous Intensity*	$I_v$	$I_F=20\text{mA}$	1560	2180	-	mcd
Color Temperature*	CCT	$I_F=20\text{mA}$	-	10000	-	K
Chromaticity Coordinates*	x	$I_F=20\text{mA}$	-	0.27	-	
	y	$I_F=20\text{mA}$	-	0.28	-	
50% Power Angle	$2\theta_{1/2}$	$I_F=20\text{mA}$	-	-	-	deg

\*1 Tolerance of measurements of chromaticity coordinate is  $\pm 10\%$

\*2 Tolerance of measurements of luminous intensity is  $\pm 15\%$

\*3 Tolerance of measurements of forward voltage is  $\pm 0.1\text{V}$