

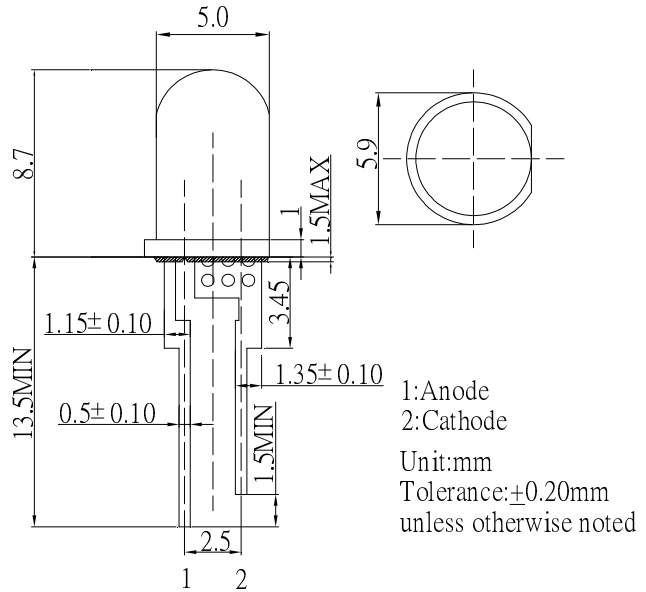
■Features

- Highest luminous flux
- Long Lifetime Operation
- Low Thermal resistance
- Water Clear Type

■Applications

- Read lights (car, bus, aircraft)
- Bollards / Security / Garden
- Small Area Illuminations
- Indoor / Outdoor Commercial lights
- Automotive Ext

■Outline Dimension



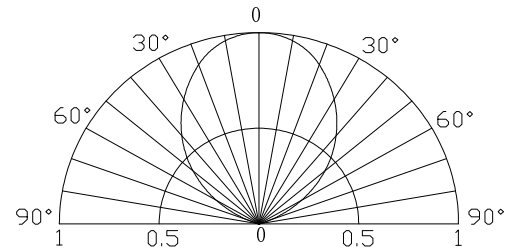
■Absolute Maximum Rating

(Ta=25°C)

Item	Symbol	Value	Unit
		W/M/B/PG	
DC Forward Current	I _F	180	mA
Pulse Forward Current#	I _{FP}	200	mA
Reverse Voltage	V _R	5	V
Power Dissipation	P _D	684	mW
Operating Temperature	Topr	-30 ~ +85	°C
Storage Temperature	Tstg	-40~ +100	°C
Lead Soldering Temperature	Tsol	260°C/5sec	-

#Pulse width Max.10ms Duty ratio max 1/10

■Directivity



■Electrical -Optical Characteristics

(Ta=25°C)

Part Number	Color		V _F (V)			I _R (μA)	Φ v (lm)			I _v (mcd)			WD (nm)/CCT (K)			2θ1/2 (deg)
			Min.	Typ.	Max.	Max.	Min.	Typ.	Max.	Min.	Typ.	Max.	Min.	Typ.	Max.	Typ.
			I _F =150mA			V _R =5V			I _F =150mA							
OSW4XA5B91R-150MA	White	W	-	3.3	3.8	10	35	40	-	25000	30000	-	5500K	6500K	8500K	90
OSM5XA5B91R-150MA	Warm White	M	-	3.3	3.8	10	33	38	-	22000	25000	-	2700K	3000K	3300K	90
OSB4XA5B91R-150MA	Blue	B	-	3.3	3.8	10	10	12	-	7000	8400	-	455	460	470	90
OSG5XA5B91R-150MA	Pure Green	PG	-	3.3	3.8	10	33	38	-	22000	25000	-	517	525	530	90

*1 Tolerance of measurements of forward voltage is ±0.1V

*2 Tolerance of measurements of luminous flux is ±15%

*3 Tolerance of measurements of luminous intensity is ±15%

*4 Tolerance of measurements of dominant wavelength is ±10%

*5 Tolerance of measurements of color temperature is ±10%

LED & Application Technologies

