

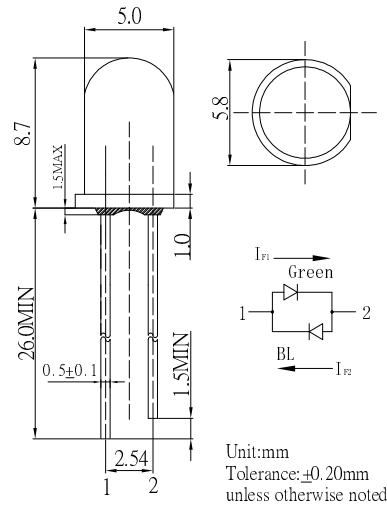
■Features

- High Luminous LEDs
- 5mm Round Standard Directivity
- Long Lifetime Operation
- UV Resistant Epoxy/ Water Clear Type

■Applications

- Toys
- Audio
- Games
- Other Lighting

■Outline Dimension



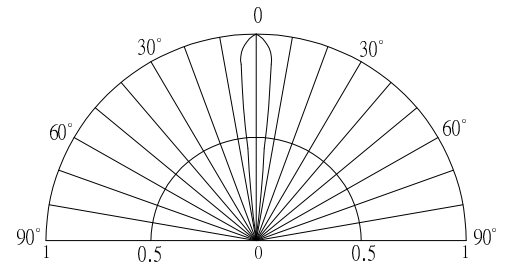
■Absolute Maximum Rating

($T_a=25^{\circ}\text{C}$)

| Item | Symbol | Value | | Unit |
|----------------------------|-----------|------------------------------|-----|--------------------|
| | | BL | PG | |
| DC Forward Current | I_F | 30 | 30 | mA |
| Pulse Forward Current# | I_{FP} | 100 | 100 | mA |
| Reverse Voltage | V_R | 5 | 5 | V |
| Power Dissipation | P_D | 102 | 102 | mW |
| Operating Temperature | T_{opr} | -30 ~ +85 | | $^{\circ}\text{C}$ |
| Storage Temperature | T_{stg} | -40~ +100 | | $^{\circ}\text{C}$ |
| Lead Soldering Temperature | T_{sol} | 260 $^{\circ}\text{C}$ /5sec | | - |

#Pulse width Max.10ms Duty ratio max 1/10

■Directivity



■Electrical -Optical Characteristics

($T_a=25^{\circ}\text{C}$)

| Item | Color. | Symbol | Condition | Min. | Typ. | Max. | Unit |
|---------------------|--------|-----------------|----------------------|-------|-------|------|------|
| DC Forward Voltage* | PG | V_{F2} | $I_{F2}=20\text{mA}$ | 2.7 | 3.0 | 3.4 | V |
| | BL | V_{F2} | $I_{F2}=20\text{mA}$ | 2.7 | 3.0 | 3.4 | V |
| Domi. Wavelength* | PG | λ_{D2} | $I_{F2}=20\text{mA}$ | 520 | 525 | 530 | nm |
| | BL | λ_{D2} | $I_{F2}=20\text{mA}$ | 465 | 470 | 475 | nm |
| Luminous Intensity* | PG | I_{V2} | $I_{F2}=20\text{mA}$ | 14400 | 18000 | - | mcd |
| | BL | I_{V2} | $I_{F2}=20\text{mA}$ | 5800 | 7000 | - | mcd |
| 50%Power Angle | PG | $2\theta_{1/2}$ | $I_{F2}=20\text{mA}$ | - | 15 | - | deg |
| | BL | $2\theta_{1/2}$ | $I_{F2}=20\text{mA}$ | - | 15 | - | deg |

*1 Tolerance of measurements of dominant wavelength is $\pm 1\text{nm}$

*2 Tolerance of measurements of luminous intensity is $\pm 15\%$

*3 Tolerance of measurements of forward voltage is $\pm 0.1\text{V}$