

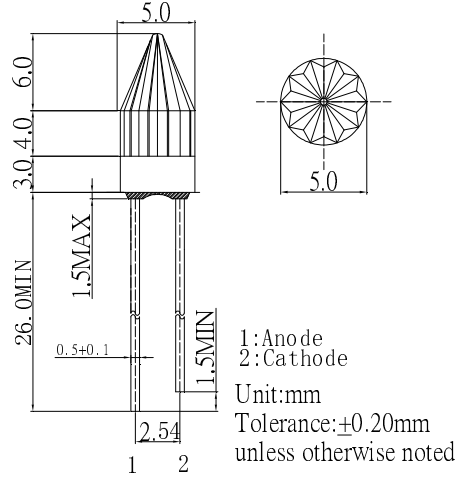
■ Features

- High Luminous LEDs
- 5mm Rocket Standard Directivity
- UV Resistant Epoxy
- Water Clear Type

■ Applications

- Automotive Dashboard Lighting
- Back Lighting
- Other Lighting

■ Outline Dimension

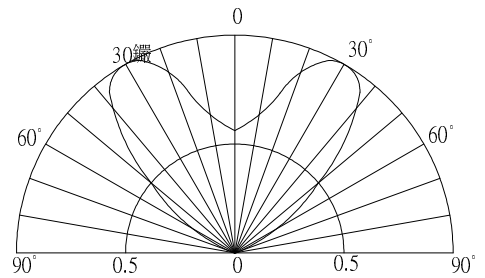


■ Absolute Maximum Rating

(Ta=25°C)

Item	Symbol	Value		Unit
		W/M/K/B/G	Y/O/R	
DC Forward Current	I _F	30	30	mA
Pulse Forward Current#	I _{FP}	100	100	mA
Reverse Voltage	V _R	5	5	V
Power Dissipation	P _D	108	78	mW
Operating Temperature	Topr	-30 ~ +85		°C
Storage Temperature	Tstg	-40 ~ +100		°C
Lead Soldering Temperature	Tsol	260°C/5sec		-

■ Directivity



#Pulse width Max.10ms Duty ratio max 1/10

■ Electrical -Optical Characteristics

(Ta=25°C)

Part Number	Color		V _F (V)			I _R (μA)	I _v (mcd)			λD (nm)			θ1/2 (deg)
			Min.	Typ.	Max.	Max.	Min.	Typ.	Max.	Min.	Typ.	Max.	Typ.
			I _F =20mA			V _R =5V	I _F =20mA						
OSW5DK58A1B	White	W	2.8	3.1	3.6	10	1560	2180			X=0.27, Y=0.28		100
OSM5DK58A1B	Warm White	M	2.8	3.1	3.6	10	1120	1560			X=0.45, Y=0.41		100
OSK5DK58A1B	Pink	K	2.8	3.1	3.6	10	750	1120			X=0.45, Y=0.17		100
OSB5SA58A1B	Blue	B	2.8	3.1	3.6	10	1120	1560		465	465	475	100
OSG5DA58A1B	Pure Green	G	2.8	3.1	3.6	10	1560	2180		520	525	530	100
OSY5PA58A1B	Yellow	Y	1.8	2.1	2.6	10	1120	1560		585	590	595	100
OSO5PA58A1B	Orange	O	1.8	2.1	2.6	10	1120	1560		600	605	610	100
OSR5PA58A1B	Red	R	1.8	2.1	2.6	10	1120	1560		620	625	630	100

*1 Tolerance of measurements of chromaticity coordinates is ±10%

*2 Tolerance of measurements of dominant wavelength is ±1nm

*3 Tolerance of measurements of luminous intensity is ±15%

*4 Tolerance of measurements of forward voltage is ±0.1V

LED & Application Technologies

