

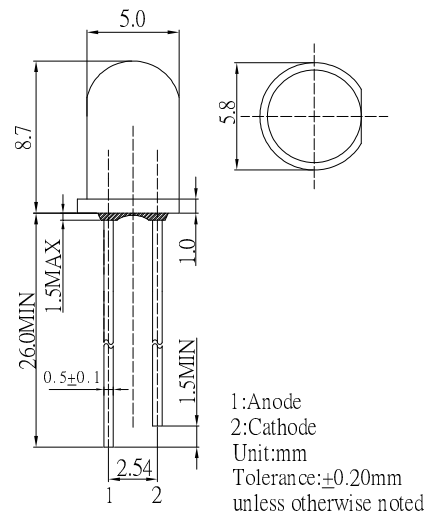
■ Features

- High Luminous LEDs
- 5mm Round Standard Directivity
- Bi-Color Flashing Type
- Water Clear Type

■ Applications

- Toys
- Games
- Audio
- Other Lighting

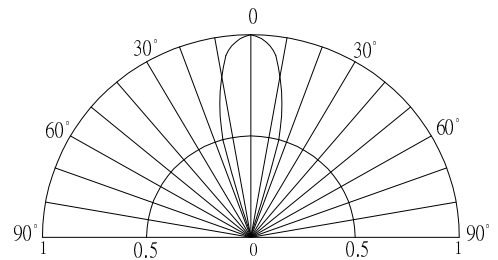
■ Outline Dimension



■ Absolute Maximum Rating (Ta=25°C)

Item	Symbol	Value	Unit
Oscillator Frequency	Fled	1.8	Hz
Power Supply	Voltage	4.5	V
Operating Temperature	Topr	-30 ~ +85	°C
Storage Temperature	Tstg	-40~ +100	°C
Lead Soldering Temperature	Tsol	260°C/5sec	-

■ Directivity



■ Electrical -Optical Characteristics (Ta=25°C)

Item	Symbol	Conditio	Min.	Typ.	Max.	Unit
DC Forward Voltage	V _{dd}	I _f =20mA	3.0	3.3	4.5	V
DC Reverse Current	I _R	V _R =5V	-	-	10	μA
Domi. Wavelength*	λ _D (Blue)	I _f =20mA	465	470	475	nm
Chromaticity Coordinates*	X (White)	I _f =20mA	-	0.31	-	
	Y (White)	I _f =20mA	-	0.34	-	
Luminous Intensity*	I _v (Blue)	I _f =20mA	2180	3000	-	mcd
	I _v (White)	I _f =20mA	2180	3000	-	mcd
50% Power Angle	2θ _{1/2}	I _f =20mA	-	30	-	deg

*1 Tolerance of measurements of chromaticity coordinate is +10%

*2 Tolerance of measurements of luminous intensity is +15%

*3 Tolerance of measurements of frequency is +20%

*4 Tolerance of measurements of forward voltage is +0.1V

*5 Tolerance of measurements of dominant wavelength is +1nm