

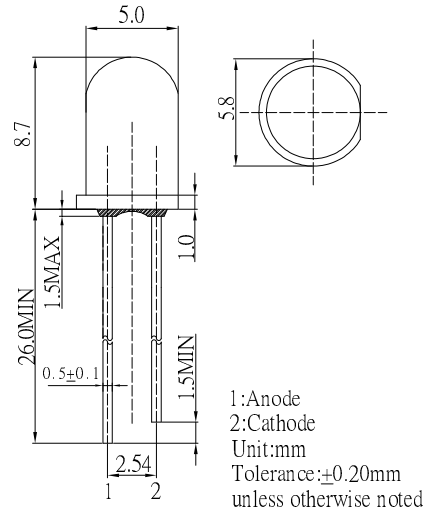
**■Features**

- High Luminous LEDs
- 5mm Round Standard Directivity
- Flashing Type
- Water Clear Type

**■Applications**

- Toys
- Games
- Audio
- Other Lighting

**■Outline Dimension**

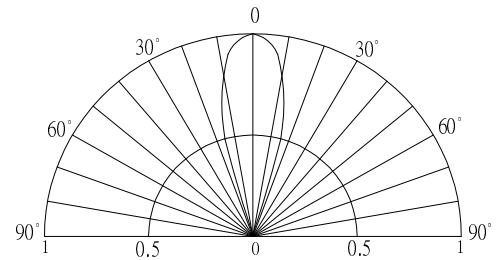


**■Absolute Maximum Rating**

(Ta=25°C)

Item	Symbol	Value	Unit
Power Supply	Voltage	5	V
Operating Temperature	Topr	-30 ~ +85	°C
Storage Temperature	Tstg	-40~ +100	°C
Lead Soldering Temperature	Tsol	260°C/5sec	-

**■Directivity**



**■Electrical -Optical Characteristics**

(Ta=25°C)

Item	Symbo	Condition	Min.	Typ.	Max.	Unit
DC Forward Voltage	Vdd	If=20mA	3.0	3.3	5.0	V
Chromaticity Coordinates*	x	If=20mA	-	0.45	-	
	y	If=20mA	-	0.41	-	
Luminous Intensity*	Iv	If=20mA	4200	5800	-	mcd
50% Power Angle	2θ1/2	If=20mA	-	30	-	deg

\*1 Tolerance of measurements of chromaticity coordinate is +10%

\*2 Tolerance of measurements of luminous intensity is +15%

\*3 Tolerance of measurements of frequency is +20%

\*4 Tolerance of measurements of forward voltage is +0.1V