

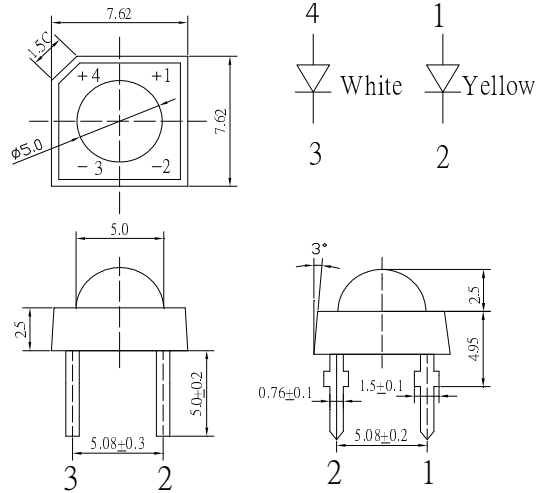
■Features

- Super Flux Output
- 5 φ Standard Directivity
- Superior Weather-resistance
- UV Resistant Epoxy
- Water Clear Type

■Applications

- Toys
- Games
- Audio
- Backing Lighting

■Outline Dimension

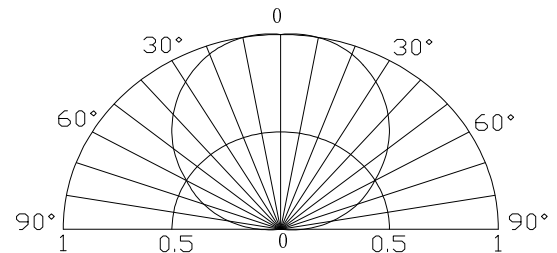


Unit:mm
Tolerance:±0.3mm

■Absolute Maximum Rating (Ta=25°C)

Item	Symbol	Value		Unit
		Yellow	White	
DC Forward Current	I _F	50	30	mA
Pulse Forward Current*	I _{FP}	120	100	mA
Reverse Voltage	V _R	5	5	V
Power Dissipation	P _D	130	108	mW
Operating Temperature	Topr	-30 ~ +85		°C
Storage Temperature	Tstg	-40 ~ +100		°C
Lead Soldering Temperature	Tsol	260°C/5sec		-

■Directivity



*Pulse width Max.10ms Duty ratio max 1/10

■Electrical -Optical Characteristics (Ta=25°C)

Item	Symbol	Condition	Min.	Typ.	Max.	Unit
DC Forward Voltage	V _F (Y)	I _F =20mA	1.8	2.1	2.6	V
	V _F (W)	I _F =20mA	2.9	3.1	3.6	V
DC Reverse Current	I _R	V _R =5V	-	-	10	μA
Domi. Wavelength*	λ _D (Y)	I _F =20mA	585	590	595	nm
	λ _D (W)	I _F =20mA	-	10000	-	K
Luminous Intensity*	I _v (Y)	I _F =20mA	1560	2300	-	mcd
	I _v (W)	I _F =20mA	2000	3000	-	mcd
50% Power Angle	2θ _{1/2}	I _F =20mA	-	120	-	deg

*1 Tolerance of measurements of chromaticity coordinate is ±10%

*2 Tolerance of measurements of dominant wavelength is ±1nm

*3 Tolerance of measurements of luminous intensity is ±15%

*4 Tolerance of measurements of forward voltage is±0.1V