

■ Features

- High Luminous LEDs
- 5mm Rocket Standard Directivity
- Candle Flashing Type
- Water Clear

■ Applications

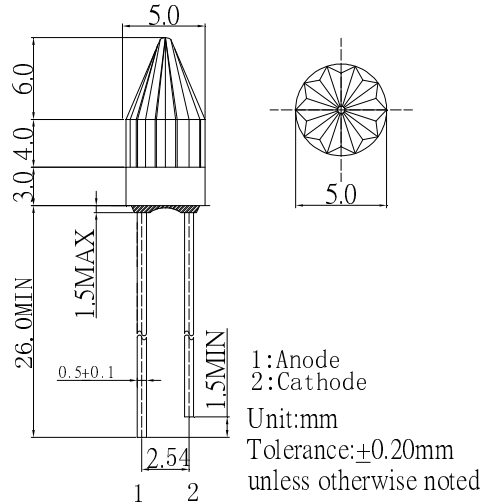
- Toys
- Games
- Audio
- Other Lighting

■ Absolute Maximum Rating

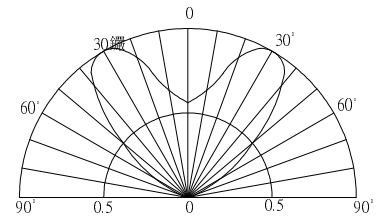
(Ta=25°C)

Item	Symbol	Value	Unit
Power Supply	Voltage	5.0	V
Operating Temperature	Topr	-30 ~ +85	°C
Storage Temperature	Tstg	-40~ +100	°C
Lead Soldering Temperature	Tsol	260°C/5sec	-

■ Outline Dimension



■ Directivity



■ Electrical -Optical Characteristics

(Ta=25°C)

Part Number	Color		V _F (V)			I _v (mcd)*			CCT(K)/λD(nm)*			2θ _{1/2} (deg)
			Min.	Typ.	Max.	Typ.	Typ.	Max.	Min.	Typ.	Max.	Typ.
			I _F =20mA			I _F =20mA						
OS5WDK58A1B	White	W	2.5	3.3	5.0	750	1120	-	8500-18000K(X:0.27,Y:0.28)			100
OS5MDK58A1B	Warm White	M	2.5	3.3	5.0	500	750	-	2700-3300K(X:0.45,Y:0.41)			100
OS2MDK58A1B	Warm White	M	2.5	3.3	5.0	500	750	-	2000-2400K(X:0.51,Y:0.41)			100
OS5KDK58A1B	Pink	K5	2.5	3.3	5.0	100	150	-	X=0.45,Y=0.17			100
OSB5SK58A1B	Blue	B	2.5	3.3	5.0	150	220	-	465	470	475	100
OSG5DK58A1B	Pure Green	PG	2.5	3.3	5.0	750	1120	-	520	525	530	100
OSY5MK58A1B	Yellow	Y	2.5	3.3	5.0	750	1120	-	585	590	595	100
OSR5MK58A1B	Red	R	2.5	3.3	5.0	750	1120	-	620	625	630	100

*1 Tolerance of measurements of Chromaticity coordinates is ±10%

*2 Tolerance of measurements of Dominant wavelength is ±1nm

*3 Tolerance of measurements of Luminous intensity is ±15%

*4 Tolerance of measurements of Forward voltage is ±0.1V

*5 Tolerance of measurements of Frequency is ±20%