

■ Features

- High Luminous LEDs
- 4.85mm Diamond Standard Directivity
- UV Resistant Epoxy
- Integral Current Limiting Resistor
- TTL Compatible (Requires No External Current Limiter With 12 Volt Supply)
- Cost Effective (Saves Space and Resistor Cost)
- Water clear Type

■ Applications

- Status Indicators
- Other Lighting

■ Absolute Maximum Rating

(Ta=25°C)

Item	Symbol	Value	Unit
DC Forward Voltage	V _F	15	V
Reverse Voltage	V _R	5	V
Power Dissipation	P _D	225	mW
Operating Temperature	Topr	-30 ~ +85	°C
Storage Temperature	Tstg	-30~ +85	°C
Lead Soldering Temperature	Tsol	260°C/5sec	-

■ Electrical -Optical Characteristics

(Ta=25°C)

Part Number	Color			I _F (mA)			I _v (mcd)*			λD(nm)*			2θ1/2(deg)
				Min	Typ.	Max.	Min.	Typ.	Max.	Min.	Typ.	Max.	Typ.
				V _F =12V			V _F =12V						
OSW5DKEDD1A-12V	White	W		-	10	15	1560	2180	-	X=0.27, Y=0.28			-
OSM5DKEDD1A-12V	Warm White	M	■	-	10	15	1120	1560	-	X=0.45, Y=0.41			-
OSK5DKEDD1A-12V	Pink	K		-	10	15	500	750	-	X=0.45, Y=0.17			-
OSB5SAEDD1A-12V	Blue	B	■	-	10	15	750	1120	-	465	470	475	-
OSG5DAEDD1A-12V	Pure Green	TG	■	-	10	15	1560	2180	-	520	525	530	-
OSG8HAEDD1A-12V	Yellow Green	G	■	-	10	15	220	330	-	565	570	575	-
OSY5RUEDD1A-12V	Yellow	Y	■	-	10	15	500	750	-	585	590	595	-
OSO5JAEDD1A-12V	Orange	O	■	-	10	15	500	750	-	600	605	610	-
OSR5RUEDD1A-12V	Red	R	■	-	10	15	500	750	-	620	625	630	-

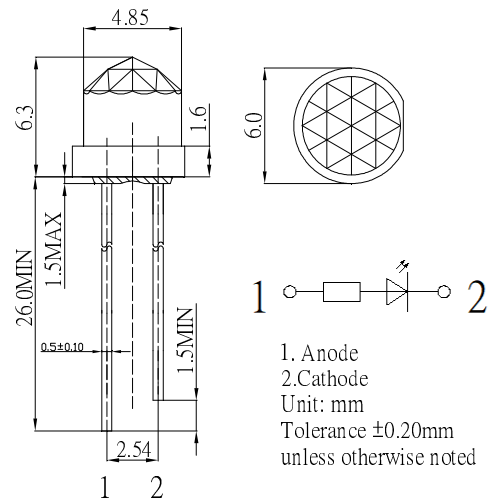
*1 Tolerance of measurements of chromaticity coordinate is ±10%

*2 Tolerance of measurements of dominant wavelength is ±1nm

*3 Tolerance of measurements of luminous intensity is ±15%

*4 Tolerance of measurements of forward voltage is ±0.1V

■ Outline Dimension



■ Directivity

