

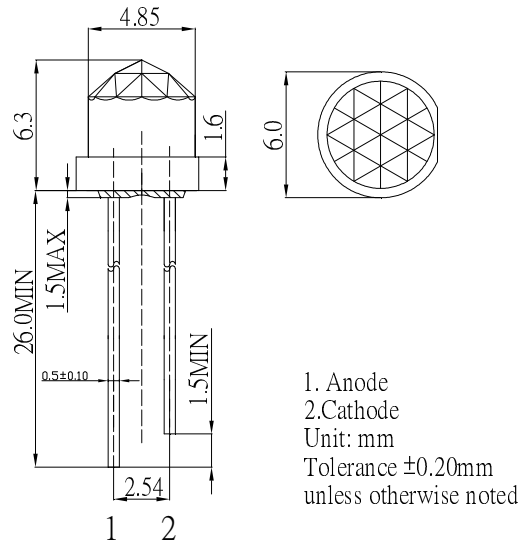
■ **Features**

- High Luminous LEDs
- 4.85mm Diamond Standard Directivity
- Full Color Flashing Type
- Water Clear Type

■ **Applications**

- Toys
- Games
- Audio
- Other Lighting

■ **Outline Dimension**



■ **Absolute Maximum Rating** (Ta=25°C)

Item	Symbol	Value	Unit
Power Supply	Voltage	5.0	V
Operating Temperature	Topr	-30 ~ +85	°C
Storage Temperature	Tstg	-40 ~ +100	°C
Lead Soldering Temperature	Tsol	260°C/5sec	°C

■ **Electrical -Optical Characteristics** (Ta=25°C)

Item	Symbol	Condition	Min.	Typ.	Max.	Unit
DC Forward Voltage*1	V <sub>dd</sub>	I <sub>F</sub> =20mA	3.8	4.5	5.0	V
Oscillator Frequency*2	F <sub>led</sub>	I <sub>F</sub> =20mA	-	33	-	S
DC Reverse Current	I <sub>R</sub>	V <sub>R</sub> =5V	-	-	10	μA
Domi. Wavelength*3	λ <sub>D</sub> (Red)	I <sub>F</sub> =20mA	620	625	630	nm
	λ <sub>D</sub> (Blue)	I <sub>F</sub> =20mA	465	470	475	nm
	λ <sub>D</sub>	I <sub>F</sub> =20mA	520	525	530	nm
Luminous Intensity*4	I <sub>v</sub> (Red)	I <sub>F</sub> =20mA	1560	2180	-	mcd
	I <sub>v</sub> (Blue)	I <sub>F</sub> =20mA	1120	1560	-	mcd
	I <sub>v</sub> (Green)	I <sub>F</sub> =20mA	2180	3000	-	mcd
50% Power Angle	2θ <sub>1/2</sub>	I <sub>F</sub> =20mA	-	-	-	deg

\*1 Tolerance of measurements of forward voltage is  $\pm 0.1$ V

\*2 Tolerance of measurements of Frequency is  $\pm 20\%$

\*3 Tolerance of measurements of dominant wavelength is  $\pm 1$ nm

\*4 Tolerance of measurements of luminous intensity is  $\pm 15\%$