

■ **Features**

- 0.6x0.6 Inch Light Bar
- Long lifetime operation
- IC compatible
- Low power dissipation
- 15x15mm

■ **Applications**

- Other lighting

■ **Absolute Maximum Rating** (Ta=25°C)

Item	Symbol	Value	Unit
DC Forward Current	I _F	30	mA
Pulse Forward Current*	I _{FP}	100	mA
Reverse Voltage	V _R	5	V
Power Dissipation	P _t	75	mW
Operating Temperature	Topr	-30 ~ +70	°C
Storage Temperature	Tstg	-40~ +85	°C
Lead Soldering Temperature(1.6mm from seating plane)	Tsol	260°C/5sec	°C

*Pulse width Max.10ms Duty ratio max 1/10

■ **Electrical -Optical Characteristics** (Ta=25°C)

Part Number	Color		V _F (V)			I _R (μA)	I _v (mcd)			λD (nm)			50% Power Angle
			Min.	Typ.	Max.	Max.	Min.	Typ.	Max.	Min.	Typ.	Max.	Typ.
			I _F =20mA			V _R =5V	I _F =20mA			I _F =20mA			
OSX40601-A(B)YG	Yellow Green	■	1.8	2.1	2.5	20	25	35	-	565	570	575	120
OSX40601-A(B)Y	Yellow	■	1.8	2.1	2.5	20	50	60	-	585	590	595	120
OSX40601-A(B)O	Orange	■	1.8	2.1	2.5	20	60	80	-	600	605	610	120
OSX40601-A(B)R	Red	■	1.8	2.1	2.5	20	40	60	-	630	640	650	120

*1 Tolerance of measurements of Domi. wavelength is ±1nm

*2 Tolerance of measurements of luminous intensity is ±15%

*3 Tolerance of measurements of forward voltage is ±0.1V

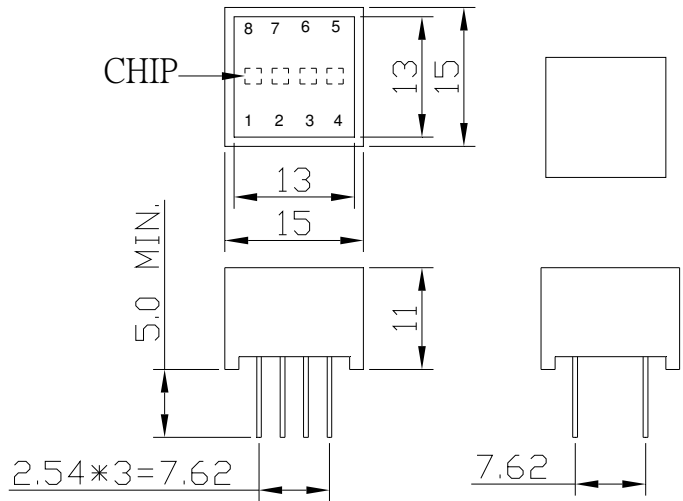
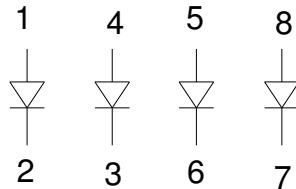
■ Package Dimensions and Pin Function

OSX40601-AX

Note:

1, Unit : mm(Tolerance:±0.25mm unless otherwise noted)

2, The slope angle of any PIN may be±5.0°Max



OSX40601-BX

Note:

1, Unit : mm(Tolerance:±0.25mm unless otherwise noted)

2, The slope angle of any PIN may be±5.0°Max

