

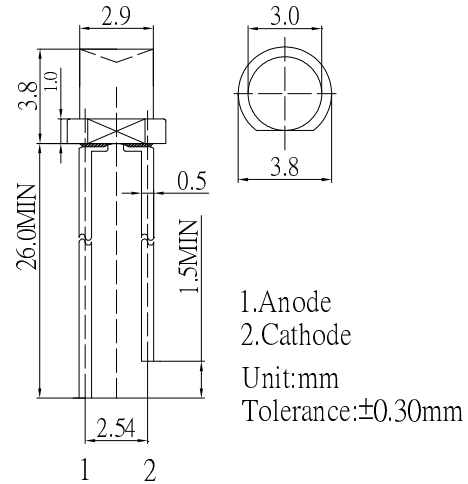
■ **Features**

- High Luminous LED
- 3mm Concave Standard Directivity
- Long Lifetime Operation
- Superior UV Resistance
- Water Clear Type

■ **Applications**

- Electronic Signs And Signals
- Small Area Illuminations
- Back Lighting
- Other Lighting

■ **Outline Dimension**

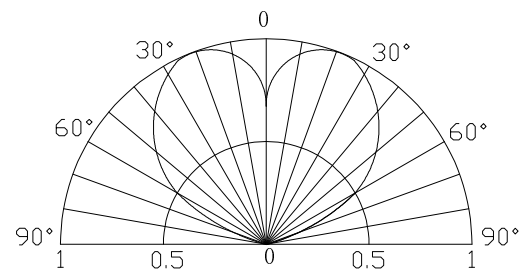


■ **Absolute Maximum Rating**

(Ta=25°C)

| Item | Symbol | Value | | Unit |
|----------------------------|-----------------|------------|-----|------|
| | | W/M/B/PG | R/Y | |
| DC Forward Current | I _F | 30 | 30 | mA |
| Pulse Forward Current* | I _{FP} | 100 | 100 | mA |
| Reverse Voltage | V _R | 5 | 5 | V |
| Power Dissipation | P _D | 108 | 78 | mW |
| Operating Temperature | Topr | -30 ~ +85 | | °C |
| Storage Temperature | Tstg | -40 ~ +100 | | °C |
| Lead Soldering Temperature | Tsol | 260°C/5sec | | - |

■ **Directivity**



*Pulse width Max 0.1ms, Duty ratio max 1/10

■ **Electrical -Optical Characteristics**

(Ta=25°C)

| Part Number | Color | | V _F (V) | | | I _R (μA) | I _v (mcd)* | | | λD (nm)* | | | 2θ1/2(deg) |
|-------------|------------|----|----------------------|------|------|---------------------|-----------------------|------|------|--------------------|------|------|------------|
| | | | Min. | Typ. | Max. | Max. | Min. | Typ. | Max. | Min. | Typ. | Max. | Typ. |
| | | | I _F =20mA | | | V _R =5V | I _F =20mA | | | | | | |
| OSW5DK33C1A | White | W | 2.9 | 3.1 | 3.6 | 10 | 750 | 1120 | - | Typ.X:0.27, Y:0.28 | | | 120 |
| OSM5DK33C1A | Warm White | M | 2.9 | 3.1 | 3.6 | 10 | 500 | 750 | - | Typ.X:0.45, Y:0.41 | | | 120 |
| OSB5SA33C1A | Blue | B | 2.9 | 3.1 | 3.6 | 10 | 220 | 330 | - | 465 | 470 | 475 | 120 |
| OSG5DA33C1A | Pure Green | PG | 2.9 | 3.1 | 3.6 | 10 | 500 | 750 | - | 520 | 525 | 530 | 120 |
| OSY5RU33C1A | Yellow | Y | 1.8 | 2.1 | 2.6 | 10 | 150 | 220 | - | 585 | 590 | 595 | 120 |
| OSY5PA33C1A | Yellow | Y | 1.8 | 2.1 | 2.6 | 10 | 330 | 500 | - | 585 | 590 | 595 | 120 |
| OSR5RU33C1A | Red | R | 1.8 | 2.1 | 2.6 | 10 | 150 | 220 | - | 620 | 625 | 630 | 120 |
| OSR5PA33C1A | Red | R | 1.8 | 2.1 | 2.6 | 10 | 330 | 500 | - | 620 | 625 | 630 | 120 |

*1 Tolerance of measurements of dominant wavelength is ±1nm

*2 Tolerance of measurements of luminous intensity is ±15%

*3 Tolerance of measurements of forward voltage is±0.1V