

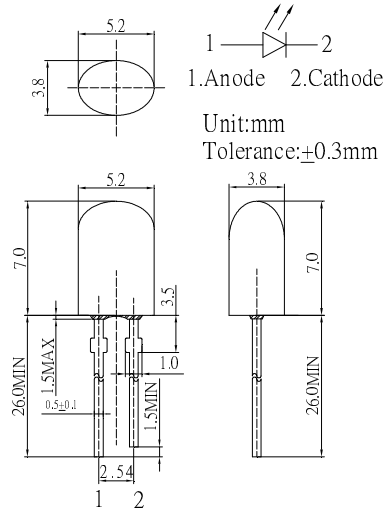
■ **Features**

- 5.2x3.8mm Standard Directivity
- Long Lifetime Operation
- UV Resistant Epoxy
- Color Diffused / White Diffused

■ **Applications**

- Electronic Signs & Signals
- Full-Color Video Screen
- Motorway Signs
- Variable-Message Sign(VMS)
- Advertising Signs

■ **Outline Dimension**

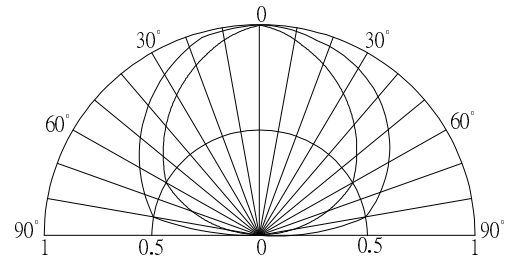


■ **Absolute Maximum Rating**

(Ta=25°C)

Item	Symbol	Value		Unit
		W/M/B/PG	Y/O/R	
DC Forward Current	I _F	25	25	mA
Pulse Forward Current*	I _{FP}	100	100	mA
Reverse Voltage	V _R	5	5	V
Power Dissipation	P _D	90	65	mW
Operating Temperature	T _{opr}	-30 ~ +85		°C
Storage Temperature	T _{stg}	-40 ~ +100		°C
Lead Soldering Temperature	T _{sol}	260°C/5sec		-

■ **Directivity**



*Pulse width Max 10ms , Duty ratio max 1/10

■ **Electrical -Optical Characteristics**

(Ta=25°C)

Part Number	Color		V _F (V)			I _R (μA)	I _v (mcd)			λD (nm)			θ1/2 (deg)
			Min.	Typ.	Max.	Max.	Min.	Typ.	Max.	Min.	Typ.	Max.	Typ.
			I _F =20mA			V _R =5V		I _F =20mA					
OSW5DK5JF2D-12	White	W	2.9	3.1	3.6	10	750	1120	-	Typ.X:0.27, Y:0.28			160/120
OSM5DK5JF2D-12	Warm White	M	2.9	3.1	3.6	10	500	750	-	Typ.X:0.45, Y:0.41			160/120
OSB5SA5JF4D-12	Blue	B	2.8	3.1	3.6	10	330	500	-	465	465	475	160/120
OSG5DA5JF4D-12	Pure Green	PG	2.8	3.1	3.6	10	750	1120	-	520	525	530	160/120
OSY5PA5JF4D-12	Yellow	Y	1.8	2.1	2.6	10	330	500	-	585	590	595	160/120
OSO5PA5JF4D-12	Orange	O	1.8	2.1	2.6	10	500	750	-	600	605	610	160/120
OSR5PA5JF4D-12	Red	R	1.8	2.1	2.6	10	330	500	-	620	625	630	160/120

*1 Tolerance of measurements of dominant wavelength is +1nm
 *2 Tolerance of measurements of luminous intensity is +15%
 *3 Tolerance of measurements of forward voltage is ±0.1V