

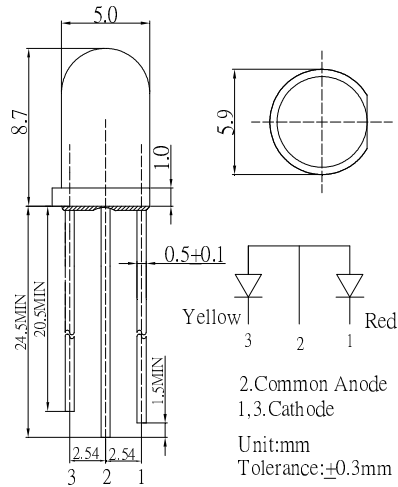
■Features

- High Luminous LEDs
- 5mm Round Standard Directivity
- Superior Weather-resistance
- UV Resistant Epoxy
- Water Clear Type

■Applications

- Toys
- Games
- Audio
- Other Lighting

■Outline Dimension

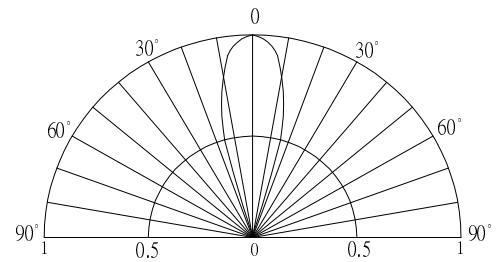


■Absolute Maximum Rating

(Ta=25°C)

Item	Symbol	Value		Unit
		Red	Yellow	
DC Forward Current	I _F	50	50	mA
Pulse Forward Current*	I _{FP}	120	120	mA
Reverse Voltage	V _R	5	5	V
Power Dissipation	P _D	130	130	mW
Operating Temperature	T _{opr}	-30~ +85		°C
Storage Temperature	T _{stg}	-40 ~ +100		°C
Lead Soldering Temperature	T _{sol}	260°C/5sec		-

■Directivity



*Pulse width Max.10ms Duty ratio max 1/10

■Electrical -Optical Characteristics

(Ta=25°C)

Item	Symbol	Condition	Min.	Typ.	Max.	Unit
DC Forward Voltage	V _F (R/Y)	I _F =20mA	1.8	2.1	2.6	V
DC Reverse Current	I _R	V _R =5V	-	-	10	μA
Domi. Wavelength*	λ _D (Red)	I _F =20mA	620	625	630	nm
	λ _D (Yellow)	I _F =20mA	585	590	595	nm
Luminous Intensity*	I _v (Red)	I _F =20mA	3000	4200	-	mcd
	I _v (Yellow)	I _F =20mA	3000	4200	-	mcd
50% Power Angle	2θ _{1/2}	I _F =20mA	-	30	-	deg

*1 Dominant wavelength Measurement allowance is ±1nm

*2 Luminous intensity Measurement allowance is ±15%