

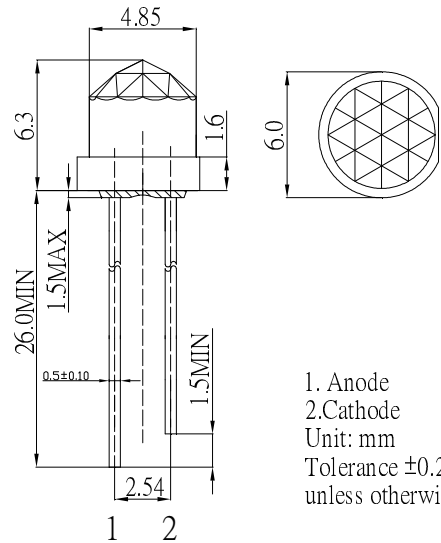
■ **Features**

- High Luminous LEDs
- 4.85mm Diamond Standard Directivity
- Full Color Flashing Type
- Water Clear Type

■ **Applications**

- Toys
- Games
- Audio
- Other Lighting

■ **Outline Dimension**

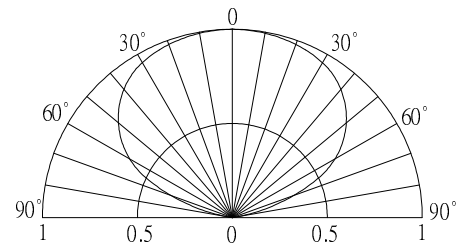


■ **Absolute Maximum Rating**

($T_a=25^\circ\text{C}$)

Item	Symbol	Value	Unit
Power Supply	Voltage	5.0	V
Operating Temperature	Topr	-30 ~ +85	$^\circ\text{C}$
Storage Temperature	Tstg	-40 ~ +100	$^\circ\text{C}$
Lead Soldering Temperature	Tsol	260 $^\circ\text{C}$ /5sec	$^\circ\text{C}$

■ **Directivity**



■ **Electrical -Optical Characteristics**

($T_a=25^\circ\text{C}$)

Item	Symbol	Conditio	Min.	Typ.	Max.	Unit
DC Forward Voltage*1	V _{dd}	I _F =20mA	3.8	4.5	5.0	V
Oscillator Frequency*2	F _{led}	I _F =20mA	-	33	-	S
DC Reverse Current	I _R	V _R =5V	-	-	10	μA
Domi. Wavelength*3	λ_D (Red)	I _F =20mA	619	624	629	nm
	λ_D (Blue)	I _F =20mA	465	470	475	nm
	λ_D (Green)	I _F =20mA	520	525	530	nm
Luminous Intensity*4	I _v (Red)	I _F =20mA	1560	2180	-	mcd
	I _v (Blue)	I _F =20mA	1120	1560	-	mcd
	I _v (Green)	I _F =20mA	2180	3000	-	mcd
50% Power Angle	$2\theta_{1/2}$	I _F =20mA	-	130	-	deg

*1 Tolerance of measurements of forward voltage is $\pm 0.1\text{V}$

*2 Tolerance of measurements of Frequency is $\pm 20\%$

*3 Tolerance of measurements of dominant wavelength is $\pm 1\text{nm}$

*4 Tolerance of measurements of luminous intensity is $\pm 15\%$