

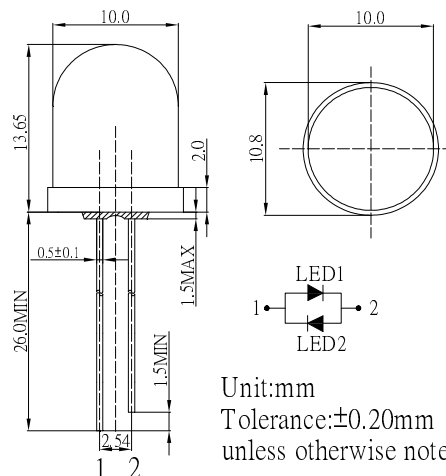
**■ Features**

- High Luminous LEDs
- 10mm Round Standard Directivity
- Long Lifetime Operation
- UV Resistant Epoxy
- Water Clear Type

**■ Applications**

- Electronic Signs And Signals
- Small Area Illuminations
- Back Lighting
- Other Lighting

**■ Outline Dimension**



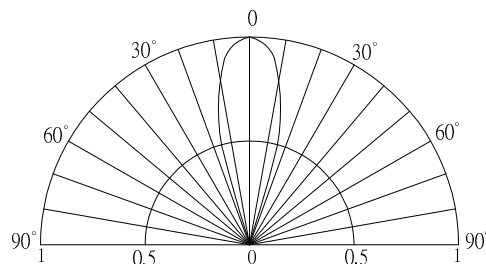
Unit:mm  
Tolerance:±0.20mm  
unless otherwise noted

**■ Absolute Maximum Rating**

(Ta=25°C)

Item	Symbol	Value		Unit
		W/M/BL/PG	O/Y/R	
DC Forward Current	I <sub>F</sub>	30	30	mA
Pulse Forward Current#	I <sub>FP</sub>	100	100	mA
Reverse Voltage	V <sub>R</sub>	5	5	V
Power Dissipation	P <sub>D</sub>	108	78	mW
Operating Temperature	T <sub>opr</sub>	-30 ~ +85		°C
Storage Temperature	T <sub>stg</sub>	-40~ +100		°C
Lead Soldering Temperature	T <sub>sol</sub>	260°C/5sec		-

**■ Directivity**



#Pulse width Max.10ms Duty ratio max 1/10

**■ Electrical -Optical Characteristics**

(Ta=25°C)

Part Number	Color		V <sub>F</sub> (V)*			I <sub>R</sub> (μA)	I <sub>v</sub> (mcd)*			Wd(nm)/CCT*			2θ1/2(deg)
			Min.	Typ.	Max.		Max.	Min.	Typ.	Max.	Min.	Typ.	
			I <sub>F</sub> =20mA			V <sub>R</sub> =5V		I <sub>F</sub> =20mA					
OSWW42A131A	White	W	-	2.9	3.6	10	12000	14400	-	5500-8500K			30
OSMM42A131A	Warm White	M	-	2.9	3.6	10	10000	12000	-	2700-3200K			30
OSBB62A131A	Blue	BL	-	2.9	3.6	10	8400	10000	-	465	470	475	30
OSPP92A131A	Pure Green	PG	-	2.9	3.6	10	18000	22000	-	520	525	530	30
OSOOG2A131A	Orange	O	-	2.1	2.6	10	14400	18000	-	6000	605	610	30
OSYYA2A131A	Yellow	Y	-	2.1	2.6	10	12000	14400	-	585	590	595	30
OSRRA2A131A	Red	R	-	2.1	2.6	10	12000	14400	-	620	625	630	30

\*1 Tolerance of measurements of chromaticity coordinate/CCT is ±10%

\*2 Tolerance of measurements of dominant wavelength is ±1nm

\*3 Tolerance of measurements of luminous intensity is ±15%

\*4 Tolerance of measurements of forward voltage is ±0.1V