

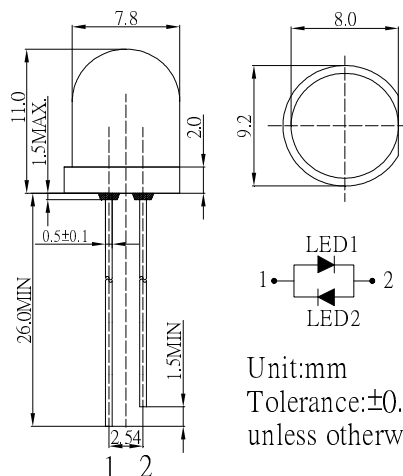
■ Features

- High Luminous LEDs
- 8mm Round Standard Directivity
- Long Lifetime Operation
- UV Resistant Epoxy
- Water Clear Type

■ Applications

- Electronic Signs And Signals
- Small Area Illuminations
- Back Lighting
- Other Lighting

■ Outline Dimension



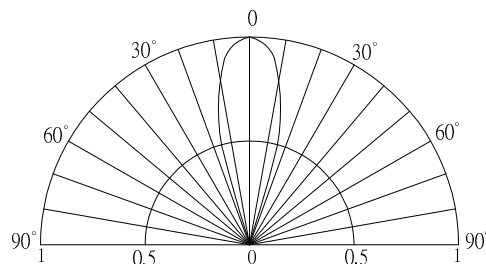
Unit:mm
Tolerance:±0.20mm
unless otherwise noted

■ Absolute Maximum Rating

(Ta=25°C)

Item	Symbol	Value		Unit
		W/M/BL/PG	O/Y/R	
DC Forward Current	I _F	30	30	mA
Pulse Forward Current#	I _{FP}	100	100	mA
Reverse Voltage	V _R	5	5	V
Power Dissipation	P _D	108	78	mW
Operating Temperature	T _{opr}	-30 ~ +85		°C
Storage Temperature	T _{stg}	-40~ +100		°C
Lead Soldering Temperature	T _{sol}	260°C/5sec		-

■ Directivity



#Pulse width Max.10ms Duty ratio max 1/10

■ Electrical -Optical Characteristics

(Ta=25°C)

Part Number	Color		V _F (V)*			I _R (μA)	I _v (mcd)*			Wd(nm)*			2θ1/2(deg)
			Min.	Typ.	Max.	Max.	Min.	Typ.	Max.	Min.	Typ.	Max.	Typ.
			I _F =20mA			V _R =5V		I _F =20mA					
OSWW428131A	White	W	-	2.9	3.6	10	12000	14400	-	5500-8500K(X:0.31,Y:0.33)			30
OSMM428131A	Warm White	M	-	2.9	3.6	10	10000	12000	-	2700-3200K(X:0.44,Y:0.41)			30
OSBB628131A	Blue	BL	-	2.9	3.6	10	8400	10000	-	465	470	475	30
OSPP928131A	Pure Green	PG	-	2.9	3.6	10	18000	22000	-	520	525	530	30
OSOOG28131A	Orange	O	-	2.1	2.6	10	14400	18000	-	600	605	610	30
OSRRA28131A	Yellow	Y	-	2.1	2.6	10	12000	14400	-	585	590	595	30
OSYYA28131A	Red	R	-	2.1	2.6	10	12000	14400	-	620	625	630	30

*1 Tolerance of measurements of chromaticity coordinate is ±10%

*2 Tolerance of measurements of dominant wavelength is ±1nm

*3 Tolerance of measurements of luminous intensity is ±15%

*4 Tolerance of measurements of forward voltage is ±0.1V