

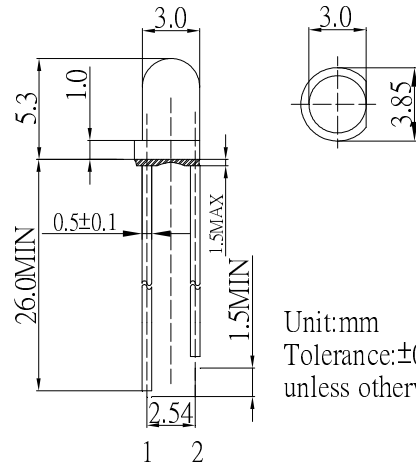
■ **Features**

- High Luminous LEDs
- 3mm Round Standard Directivity
- Color Changing Type
- Water Clear Type

■ **Applications**

- Toys
- Audio
- Decorations
- Indications

■ **Outline Dimension**



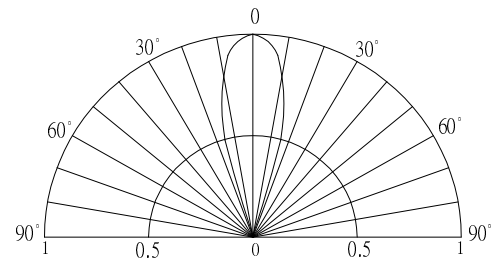
Unit:mm  
Tolerance:±0.20mm  
unless otherwise noted

■ **Absolute Maximum Rating**

(Ta=25°C)

Item	Symbol	Value	Unit
Power Supply	Voltage	5	V
Operating Temperature	Topr	-30 ~ +85	°C
Storage Temperature	Tstg	-40~ +100	°C
Lead Soldering Temperature	Tsol	260°C/5sec	-

■ **Directivity**



■ **Electrical -Optical Characteristics**

(Ta=25°C)

Item	Symbol	Conditio	Min.	Typ.	Max.	Unit
DC Forward Voltage*1	V <sub>dd</sub>	I <sub>F</sub> =20mA	3.8	4.5	5.0	V
Oscillator Frequency*2	F <sub>led</sub>	I <sub>F</sub> =20mA	-	12	-	S
Duty Cycle	Duty	I <sub>F</sub> =20mA	-	-	-	-
Domi. Wavelength*3	λ <sub>D</sub> (Red)	I <sub>F</sub> =20mA	620	625	630	nm
	λ <sub>D</sub> (Blue)	I <sub>F</sub> =20mA	465	470	475	nm
	λ <sub>D</sub>	I <sub>F</sub> =20mA	520	525	530	nm
Luminous Intensity*4	I <sub>v</sub> (Red)	I <sub>F</sub> =20mA	7000	8400	-	mcd
	I <sub>v</sub> (Blue)	I <sub>F</sub> =20mA	3000	4000	-	mcd
	I <sub>v</sub> (Green)	I <sub>F</sub> =20mA	12000	14400	-	mcd
50% Power Angle	2θ <sub>1/2</sub>	I <sub>F</sub> =20mA	-	30	-	deg

\*1 Tolerance of measurements of forward voltage is ±0.1V

\*2 Tolerance of measurements of frequency is ±20%

\*3 Tolerance of measurements of dominant wavelength is ±1nm

\*4 Tolerance of measurements of luminous intensity is ±15%