

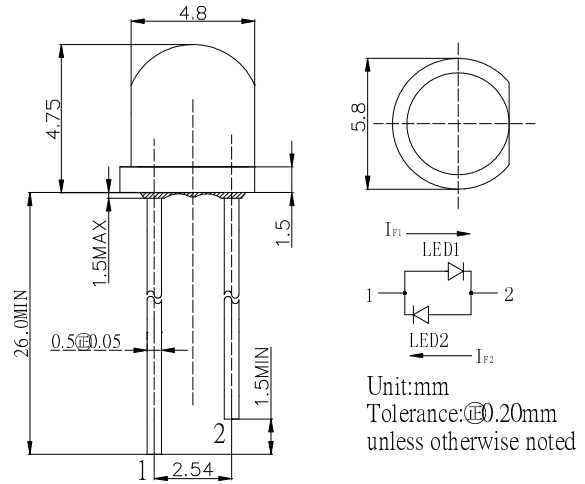
■ **Features**

- High Luminous LEDs
- 4.8mm Straw Standard Directivity
- UV Resistant Epoxy
- Water Clear Type

■ **Applications**

- Toys
- Audio
- Games
- Other Lighting

■ **Outline Dimension**



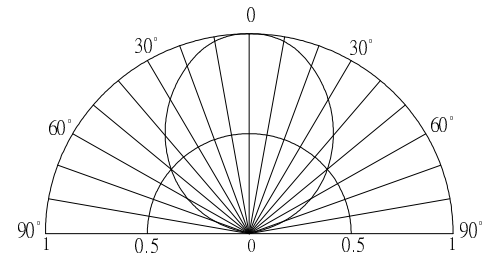
■ **Absolute Maximum Rating**

(Ta=25°C)

Item	Symbo	Value		Unit
		LED1	LED2	
DC Forward Current	IF	30	30	mA
Pulse Forward Current*	IFP	100	100	mA
Reverse Voltage	VR	5	5	V
Power Dissipation	PD	102	102	mW
Operating Temperature	Topr	-30 ~ +85		°C
Storage Temperature	Tstg	-40~ +100		°C
Lead Soldering Temperature	Tsol	260°C /5sec		-

\*Pulse width Max.10ms Duty ratio max 1/10

■ **Directivity**



■ **Electrical -Optical Characteristics**

(Ta=25°C)

Item	NO.	Symbol	Condition	Min.	Typ.	Max.	Unit
DC Forward Voltage	LED1	V <sub>F1</sub>	I <sub>F1</sub> =20mA	-	2.9	3.4	V
	LED2	V <sub>F2</sub>	I <sub>F2</sub> =20mA	-	2.9	3.4	V
Chromaticity Coordinates*	LED	x	I <sub>F</sub> =20mA	-	0.45	-	
		y	I <sub>F</sub> =20mA	-	0.41	-	
Luminous Intensity *	LED1	I <sub>v1</sub>	I <sub>F1</sub> =20mA	1560	2180	-	mcd
	LED2	I <sub>v2</sub>	I <sub>F2</sub> =20mA	1560	2180	-	mcd
50% Power Angle	LED1	2θ <sub>1/2</sub>	I <sub>F1</sub> =20mA	-	100	-	deg
	LED2	2θ <sub>1/2</sub>	I <sub>F2</sub> =20mA	-	100	-	deg

\*1 Tolerance of measurements of chromaticity coordinates is ±10%

\*2 Tolerance of measurements of luminous intensity is ±15%

\*3 Tolerance of measurements of forward voltage is ±0.1V