

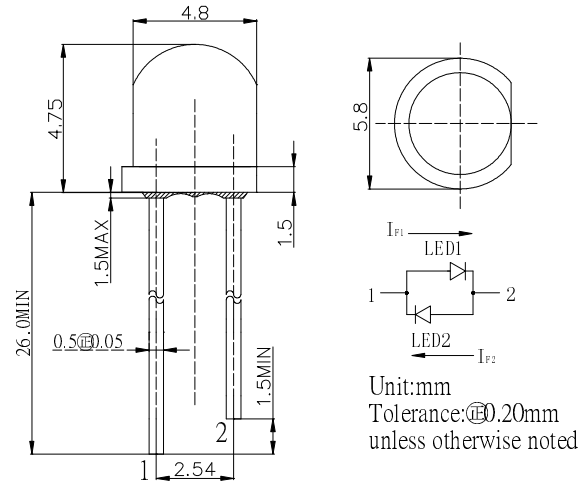
■Features

- High Luminous LEDs
- 4.8mm Straw Standard Directivity
- UV Resistant Epoxy
- Water Clear Type

■Applications

- Toys
- Audio
- Games
- Other Lighting

■Outline Dimension



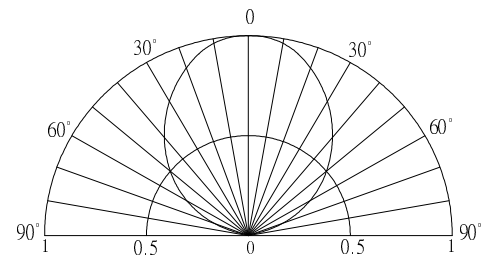
■Absolute Maximum Rating

($T_a=25^\circ\text{C}$)

Item	Symbol	Value		Unit
		LED1	LED2	
DC Forward Current	I_F	50	50	mA
Pulse Forward Current*	I_{FP}	100	100	mA
Reverse Voltage	V_R	5	5	V
Power Dissipation	P_D	130	130	mW
Operating Temperature	T_{opr}	-30 ~ +85		$^\circ\text{C}$
Storage Temperature	T_{stg}	-40 ~ +100		$^\circ\text{C}$
Lead Soldering Temperature	T_{sol}	260 $^\circ\text{C}$ /5sec		-

*Pulse width Max.10ms Duty ratio max 1/10

■Directivity



■Electrical -Optical Characteristics

($T_a=25^\circ\text{C}$)

Item	NO.	Symbol	Condition	Min.	Typ.	Max.	Unit
DC Forward Voltage	LED1	V_{F1}	$I_{F1}=20\text{mA}$	-	2.1	2.6	V
	LED2	V_{F2}	$I_{F2}=20\text{mA}$	-	2.1	2.6	V
Domi. Wavelength*	LED1	λ_{D1}	$I_{F1}=20\text{mA}$	620	625	630	nm
	LED2	λ_{D2}	$I_{F2}=20\text{mA}$	620	625	630	nm
Luminous Intensity*	LED1	I_{V1}	$I_{F1}=20\text{mA}$	1120	1560	-	mcd
	LED2	I_{V2}	$I_{F2}=20\text{mA}$	1120	1560	-	mcd
50% Power Angle	LED1	$2\theta_{1/2}$	$I_{F1}=20\text{mA}$	-	100	-	deg
	LED2	$2\theta_{1/2}$	$I_{F2}=20\text{mA}$	-	100	-	deg

*1 Tolerance of measurements of Domi. wavelength is ± 1 nm

*2 Tolerance of measurements of luminous intensity is $\pm 15\%$

*3 Tolerance of measurements of forward voltage is ± 0.1 V