

E10 Current Regulative LED Screw Lamp

(CRLED)

- CRLED is LED which supplies constant current to keep LED Intensity Consistency even when power supply voltage fluctuations or load impedance fluctuations occur.
- CRLED is used with current stabilization and current limiting

■ Features

- High Luminous LEDs
- 8mm Round Standard Directivity
- Superior Weather-resistance
- UV Resistant Epoxy
- Water Clear Type

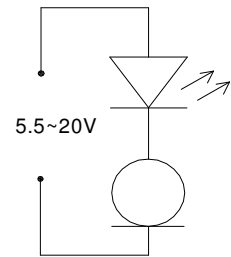
■ Applications

- Electronic Signs And Signals/ Small Area Illuminations
- Toys/ Other Lighting

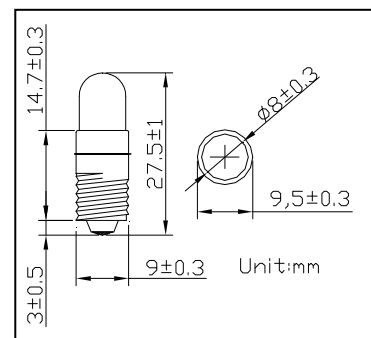
Photo



Circuit Diagram



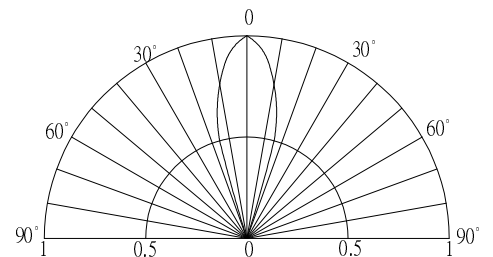
Outline Dimension



■ Absolute Maximum Rating (Ta=25°C)

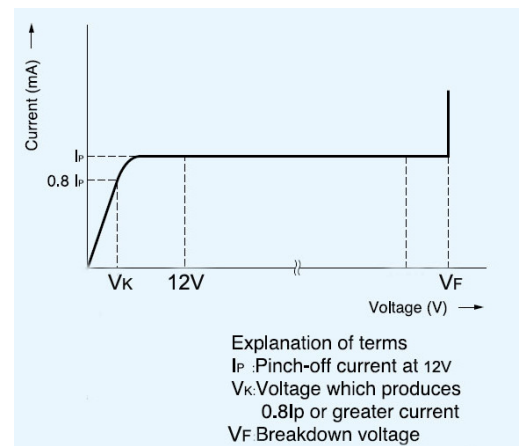
Item	Symbol	Value	Unit
DC Forward Voltage	V _F	20	V
Power Dissipation	P _D	350	mW
Operating Temperature	Topr	-30 ~ +85	°C
Storage Temperature	Tstg	-40 ~ +100	°C
Lead Soldering Temperature	Tsol	260°C/5sec	-

■ Directivity



■ Electrical -Optical Characteristics (Ta=25°C)

Part Number	Color	Control Voltage DC (V)		Domi. Wavelength*	Luminous Intensity*
		Working Current:IF=18mA			
		Min	Max.	Typ.	Typ.
OPDD-W5DK8B31B-CRLED18	Cool White	5.5	20	8000-17000K	10000mcd
OPDD-M5DK8B31B-CRLED18	Warm White	5.5	20	2500-3500K	7000mcd
OPDD-B5SA8B31B-CRLED18	Blue	5.5	20	465-475nm	5800mcd
OPDD-G5DA8B31B-CRLED18	Green	5.5	20	520-530nm	10000mcd
OPDD-Y5MA8B31B-CRLED18	Yellow	5.5	20	585-595nm	8400mcd
OPDD-R5MA8B31B-CRLED18	Red	5.5	20	620-630nm	8400mcd



*1 Tolerance of measurements of chromaticity coordinate is ±10%

*2 Tolerance of measurements of dominant wavelength is ±1nm

*3 Tolerance of measurements of luminous intensity is ±15%

*4 Tolerance of measurements of forward voltage is ±0.1V