

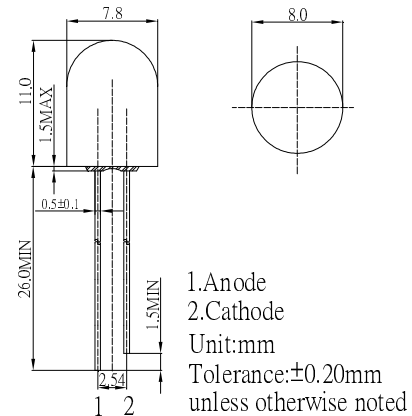
■ **Features**

- High Luminous LEDs
- 8mm Round Standard Directivity
- Superior Weather-resistance
- UV Resistant Epoxy
- Water Clear

■ **Applications**

- Electronic Signs And Signals
- Small Area Illuminations
- Back Lighting
- Other Lighting

■ **Outline Dimension**



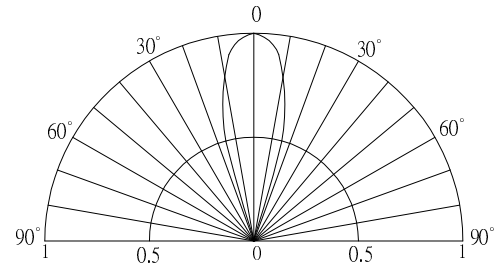
■ **Absolute Maximum Rating**

(Ta=25°C)

Item	Symbol	Value		Unit
		Y/O/R	W/M/B/PG	
DC Forward Current	I <sub>F</sub>	50	30	mA
Pulse Forward Current*	I <sub>FP</sub>	100	100	mA
Reverse Voltage	V <sub>R</sub>	5	5	V
Power Dissipation	P <sub>D</sub>	130	108	mW
Operating Temperature	T <sub>opr</sub>	-30 ~ +85		°C
Storage Temperature	T <sub>stg</sub>	-40 ~ +100		°C
Lead Soldering Temperature	T <sub>sol</sub>	260°C/5sec		-

\*Pulse width Max.10ms Duty ratio max 1/10

■ **Directivity**



■ **Electrical -Optical Characteristics**

(Ta=25°C)

Part Number	Color		V <sub>F</sub> (V)			I <sub>R</sub> (μA)	I <sub>v</sub> (mcd)			Wd (nm)/CCT (K)*			2θ <sub>1/2</sub> (deg)
			Min.	Typ.	Max.	Max.	Min.	Typ.	Max.	Min.	Typ.	Max.	Typ.
			I <sub>F</sub> =20mA			V <sub>R</sub> =5V	I <sub>F</sub> =20mA						
OSW4DK8B31B	White	W	2.8	3.1	3.6	10	18000	25000	-	CCT:5500-8500K			30
OSM5DK8B31B	Warm White	M	2.8	3.1	3.6	10	14400	18000	-	CCT:2700-3200K			30
OSB5SA8B31B	Blue	B	2.8	3.1	3.6	10	4200	5800	-	465	470	475	30
OSG5DA8B31B	Pure Green	PG	2.8	3.1	3.6	10	18000	20000	-	520	525	530	30
OSY5PA8B31B	Yellow	Y	1.8	2.1	2.6	10	8400	10000	-	585	590	595	30
OSO5PA8B31B	Orange	O	1.8	2.1	2.6	10	10000	12000	-	600	605	610	30
OSR5PA8B31B	Red	R	1.8	2.1	2.6	10	8400	10000	-	620	625	630	30

\*1 Tolerance of measurements of dominant wavelength is ±1nm

\*2 Tolerance of measurements of luminous intensity is ±15%

\*3 Tolerance of measurements of forward voltage is ±0.1V