

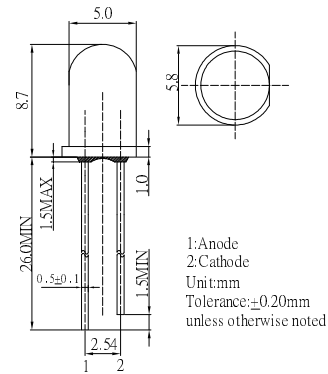
■Features

- High Radiant Power LEDs
- 5mm Standard Directivity
- Superior Weather-resistance
- UV Resistant Epoxy
- Water Clear Type

■Applications

- IrDA
- Encoder
- Data Communication
- IR camera

■Outline Dimension

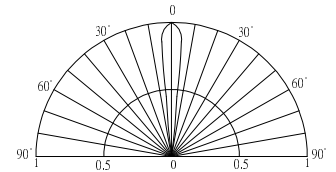


■Absolute Maximum Rating

(Ta=25°C)

Item	Symbol	Value						Unit
		I3CA	I3NA	IXCA	I5NA	I5LA	I5CA	
DC Forward Current	I _F	50	100	100	50	100	100	mA
Pulse Forward Current*	I _{FP}	500	1000	1000	500	1000	1000	mA
Reverse Voltage	V _R	5						V
Power Dissipation	P _D	90	180	180	90	180	180	mW
Operating Temperature	T _{opr}	-30 ~ +85						°C
Storage Temperature	T _{stg}	-40 ~ +100						°C
Lead Soldering Temperature	T _{sol}	260°C/5sec						-

■Directivity



*Pulse width Max.10ms Duty ratio max 1/10

■Electrical -Optical Characteristics

(Ta=25°C)

Part Number	Color	I ₃	V _F (V)			I _R (μA)	Radiant Power (mW)			WP(nm)*			2θ1/2(deg)
			Min.	Typ.	Max.	Max.	Min.	Typ.	Max.	Min.	Typ.	Max.	Typ.
			I _F =50mA / (100 mA)			V _R =5 V		I _F =50mA / (100 mA)					
OSI3CA5111A	Infrared	I3	-	1.6	1.8	10	15	20	-	-	850	-	15
OSI3NA5111A	Infrared	I3	-	1.5 (1.6)	1.8 (1.8)	10	20 (45)	25 (55)	-	-	850	-	15
OSIXCA5111A	Infrared	IX	-	1.4 (1.6)	1.8 (1.8)	10	25 (50)	30 (60)	-	-	880	-	15
OSI5NA5111A	Infrared	I5	-	1.6	1.8	10	15	20	-	-	940	-	15
OSI5LA5111A	Infrared	I5	-	1.3 (1.6)	1.8 (1.8)	10	8 (20)	13 (26)	-	-	940	-	15
OSI5CA5111A	Infrared	I5	-	1.5 (1.6)	1.8 (1.8)	10	20 (45)	25 (55)	-	-	940	-	15

*1 Tolerance of measurements of Peak wavelength is ±1nm

*2 Tolerance of measurements of radiant Power is ±15%

*3 Tolerance of measurements of forward voltage is ±0.1V