

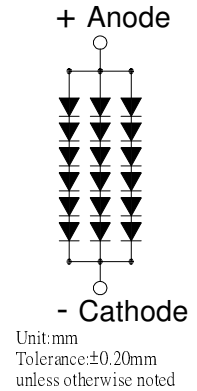
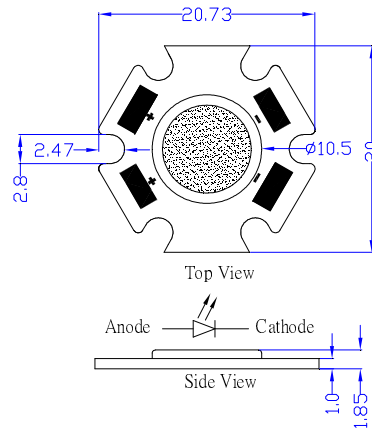
■Features

- Highest Luminous Flux
- Super Energy Efficiency
- Long Lifetime Operation
- Superior UV Resistance
- **Efficacy: 120lm/W @300mA (5.76W)**

■Applications

- Electronic Signs And Signals
- Small Area Illuminations
- Back Lighting
- Other Lighting
- Bollards / Security / Garden
- Traffic signaling / Beacons

■Outline Dimension



■Absolute Maximum Rating

(Ta=25°C)

Item	Symbol	Value	Unit
		W/M	
DC Forward Current	I _F	420	mA
Pulse Forward Current*	I _{FP}	600	mA
Reverse Voltage	V _R	25	V
Power Dissipation	P _D	8,820	mW
Operating Temperature	Topr	-40 ~ +85	°C
Storage Temperature	Tstg	-40~ +85	°C
Lead Soldering Temperature	Tsol	260°C/5sec	-

*Pulse width Max 0.1ms, Duty ratio max 1/10

■Electrical -Optical Characteristics

(Ta=25°C)

Part Number	Color		V _F (V)			I _R (μA)	Φ _v (lm)*			λD(nm)*			2θ1/2(deg)	
			Min.	Typ.	Max.		Max.	Min.	Typ.	Max.	Min.	Typ.		Max.
			I _F =300mA				V _R =5V	I _F =300mA						
OS4WF6CAE1E	White	W	17.4	19.2	21	50	650	700	-	X=0.31, Y=0.33 CCT:6500K			140	
OS7MF6CAE1E	Warm White	M	17.4	19.2	21	50	650	700	-	X=0.38, Y=0.39 CCT:4000K			140	
OS5MF6CAE1E	Warm White	M	17.4	19.2	21	50	650	700	-	X=0.44, Y=0.41 CCT:3000K			140	

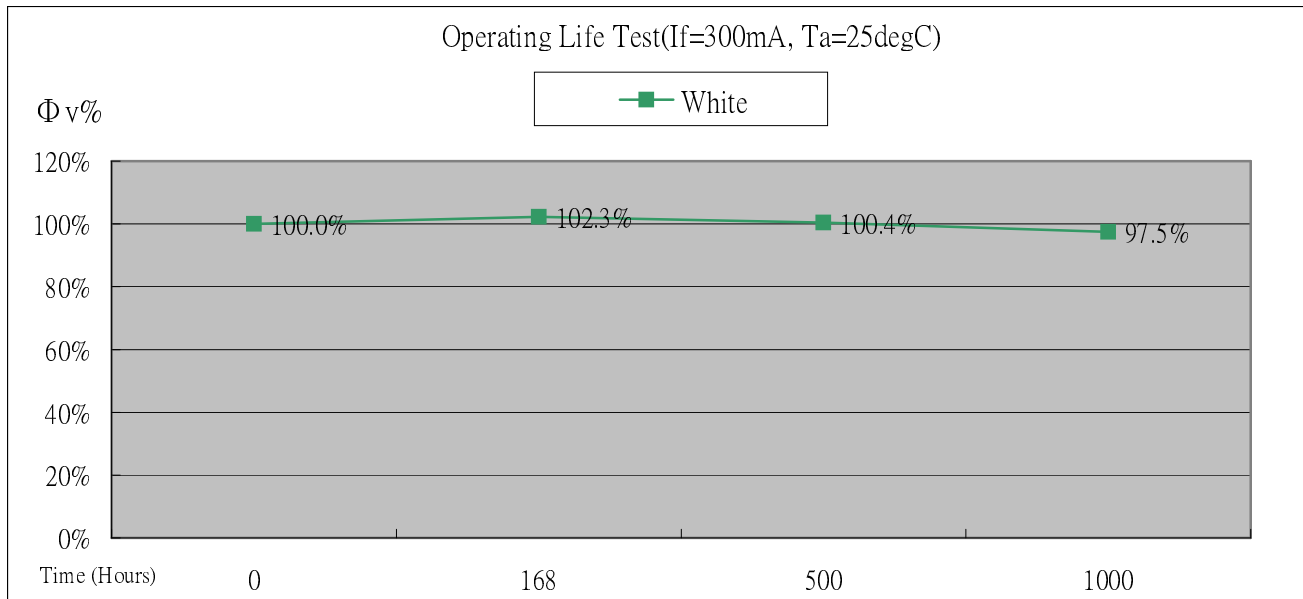
*Thermal Resistance Junction to MCPCB: 6degC/W

*1 Tolerance of measurements of chromaticity coordinates ±10%

*2 Tolerance of measurements of luminous flux is ±15%

*3 Tolerance of measurements of forward voltage is ±0.1V

OPERATION LIFE TEST LUMINANCE RATE CURVE



- *Burn-in condition: 300mA , With Heatsink.
- *Projection of Statistical Average Light Output Degradation Performance for LED Technology
Extrapolated from OptoSupply QA Dept. Test Data.
- *According to OptoSupply outgoing Packaged Products Specification
- *MTBF:50,000hrs, 90% Confidence (A Failure is Any LED Which is Open, shorted or fails to Emit Light)
- *The Projected Data is Base on The Feature of LED Itself Under Normal Operation Conditions.
- *Any Improper Circuit Design or External Factors Might Cause a Different Result.