

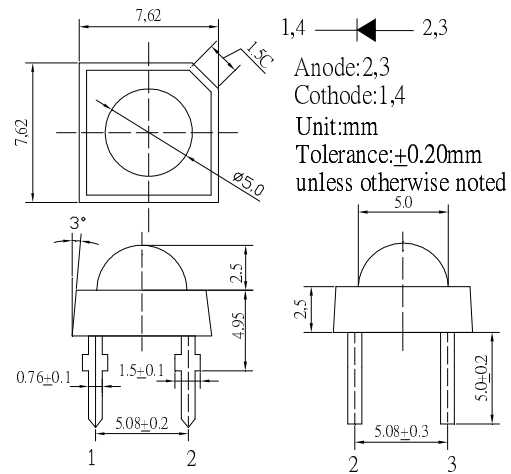
■Features

- High Luminous Super Flux Output
- 5 ø Standard Directivity
- Superior Weather-resistance
- UV Resistant Epoxy
- Water Clear Type

■Applications

- IrDA
- Encoder
- Data Communication
- Other Lighting

■Outline Dimension

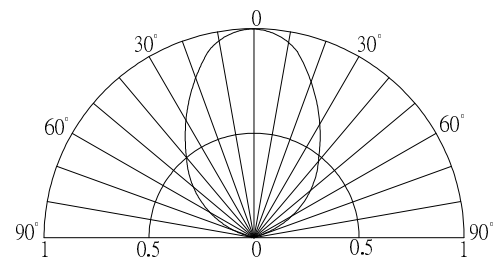


■Absolute Maximum Rating

(Ta=25°C)

Item	Symbol	Value	Unit
DC Forward Current	I _F	105	mA
Pulse Forward Current*	I _{FP}	1000	mA
Reverse Voltage	V _R	5	V
Power Dissipation	P _D	189	mW
Operating Temperature	T _{opr}	-30 ~ +85	°C
Storage Temperature	T _{stg}	-40~ +100	°C
Lead Soldering Temperature	T _{sol}	260°C/5sec	-

■Directivity



*Pulse width Max.10ms Duty ratio max 1/10

■Electrical -Optical Characteristics

(Ta=25°C)

Part Number	Color		V _F (V)			I _R (μA)	Radiant Power (mW)			WP(nm)*			2θ1/2(deg)
			Min.	Typ.	Max.	Max.	Min.	Typ.	Max.	Min.	Typ.	Max.	Typ.
			I _F =100mA			V _R =5V	I _F =100mA						
OSI3NAZ281P	Infrared	I3	-	1.6	1.8	10	-	60	-	-	850	-	80
OSI5CAZ281P	Infrared	I5	-	1.6	1.8	10	-	60	-	-	940	-	80

*1 Tolerance of measurements of Peak wavelength is ±1nm

*2 Tolerance of measurements of radiant Power is ±15%

*3 Tolerance of measurements of forward voltage is ±0.1V