

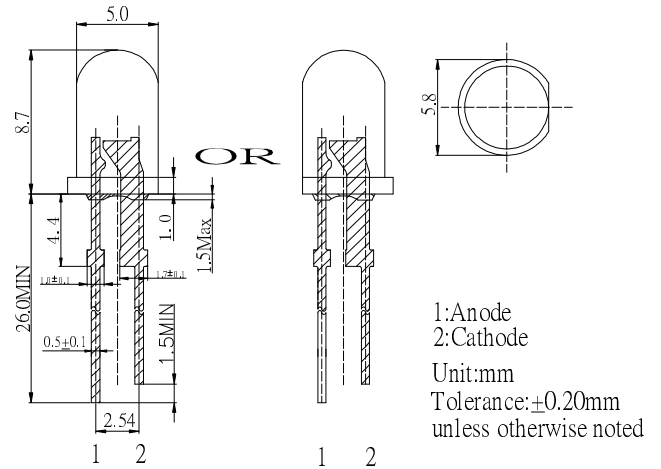
■ Features

- High Luminous LEDs
- 5mm Round Standard Directivity
- Superior Weather-resistance
- UV Resistant Epoxy
- Water Clear Type

■ Applications

- Electronic Signs And Signals
- Small Area Illuminations
- Back Lighting
- Other Lighting

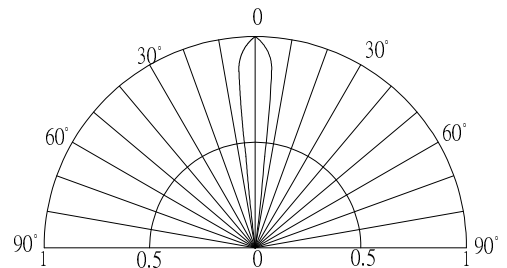
■ Outline Dimension



■ Absolute Maximum Rating (Ta=25°C)

Item	Symbol	Value	Unit
DC Forward Current	I _F	55	mA
Pulse Forward Current*	I _{FP}	120	mA
Reverse Voltage	V _R	5	V
Power Dissipation	P _D	209	mW
Operating Temperature	T _{opr}	-30 ~ +85	°C
Storage Temperature	T _{stg}	-40 ~ +100	°C
Lead Soldering Temperature	T _{sol}	260°C/5sec	-

■ Directivity



*Pulse width Max.10ms Duty ratio max 1/10

■ Electrical -Optical Characteristics (Ta=25°C)

Part Number	Color		V _F (V)			I _R (μA)	Φ _v (LM)			Wd(nm)/CCT(K)			2θ1/2(deg)
			Min.	Typ.	Max.	Max.	Min.	Typ.	Max.	Min.	Typ.	Max.	Typ.
			I _F =50mA			V _R =5V		I _F =50mA					
OSW44I5111Y	Pure White	W	3.0	3.3	3.8	10	10	13	-	5500-8500K(X:0.31,Y:0.34)			15
OSM54L5111Y	Warm White	M	3.0	3.3	3.8	10	9	12	-	2700-3200K(X:0.44,Y:0.41)			15
OSB5DL5111Y	Blue	B	3.0	3.3	3.8	10	2	3	-	465	470	475	15
OSG5GL5111Y	Pure Green	PG	3.0	3.3	3.8	10	8	9.5	-	520	525	530	15

*1 Tolerance of measurements of chromaticity coordinate is ±10%

*2 Tolerance of measurements of dominant wavelength is ±1nm

*3 Tolerance of measurements of luminous flux is ±15%

*4 Tolerance of measurements of forward voltage is ±0.1V