

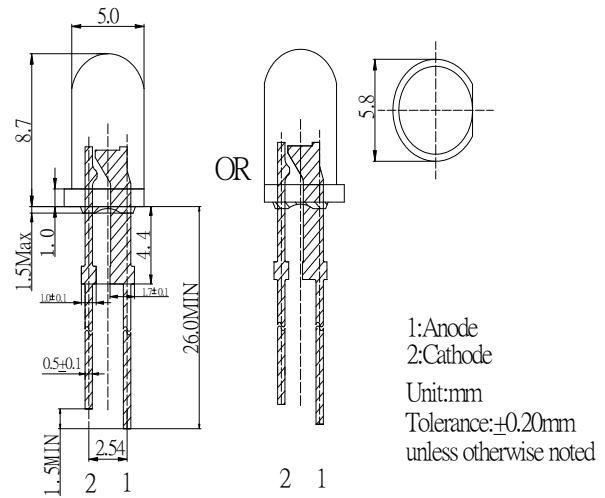
■ Features

- High Luminous LEDs
- 5mm Round Standard Directivity
- Superior Weather-resistance
- UV Resistant Epoxy
- Water Clear Type

■ Applications

- Electronic Signs And Signals
- Small Area Illuminations
- Back Lighting
- Other Lighting

■ Outline Dimension



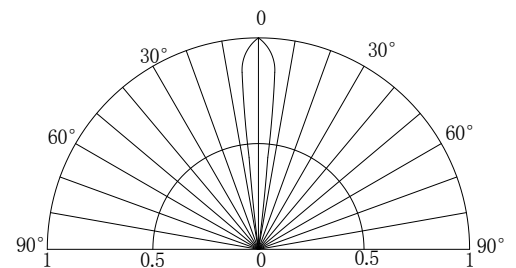
■ Absolute Maximum Rating

(Ta=25°C)

| Item | Symbol | Value | Unit |
|----------------------------|------------------|------------|------|
| DC Forward Current | I _F | 55 | mA |
| Pulse Forward Current* | I _{FP} | 120 | mA |
| Reverse Voltage | V _R | 5 | V |
| Power Dissipation | P _D | 190 | mW |
| Operating Temperature | T _{opr} | -30 ~ +85 | °C |
| Storage Temperature | T _{stg} | -40 ~ +100 | °C |
| Lead Soldering Temperature | T _{sol} | 260°C/5sec | - |

*Pulse width Max.10ms Duty ratio max 1/10

■ Directivity



■ Electrical -Optical Characteristics

(Ta=25°C)

| Part Number | Color | | V _F (V) | | | I _R (μA) | Φ _v (LM) | | | Wd(nm)* | | | 2θ1/2(deg) |
|-------------|--------|---|----------------------|------|------|---------------------|----------------------|------|------|---------|------|------|------------|
| | | | Min. | Typ. | Max. | Max. | Min. | Typ. | Max. | Min. | Typ. | Max. | Typ. |
| | | | I _F =50mA | | | V _R =5V | I _F =50mA | | | | | | |
| OSY6PA5111Y | Amber | Y | 2.0 | 2.2 | 2.8 | 10 | 3 | 4 | - | 590 | 595 | 600 | 15 |
| OSO5PA5111Y | Orange | O | 2.0 | 2.2 | 2.8 | 10 | 3 | 4 | - | 600 | 605 | 610 | 15 |
| OSR5PA5111Y | Red | R | 2.0 | 2.4 | 2.8 | 10 | 3 | 4 | - | 620 | 625 | 630 | 15 |

*1 Tolerance of measurements of dominant wavelength is ±1nm

*2 Tolerance of measurements of luminous flux is ±15%

*3 Tolerance of measurements of forward voltage is ±0.1V