

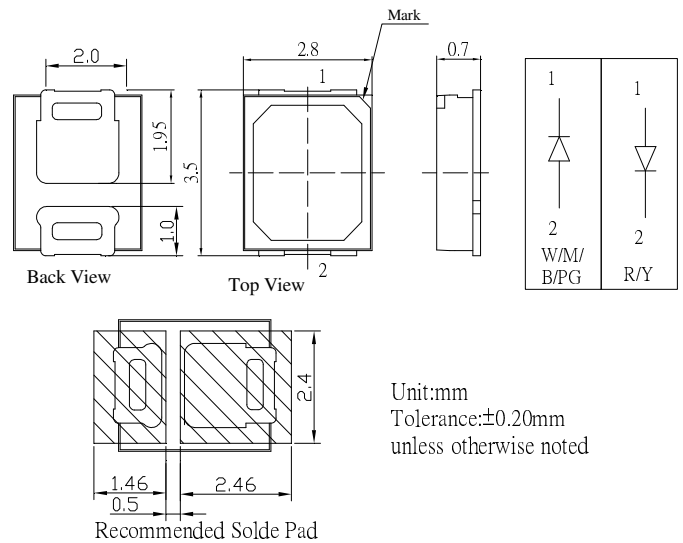
**■Features**

- Highest luminous flux
- Super energy efficiency
- Long lifetime operation
- Superior UV Resistance
- W4/M5 Ra>80

**■Applications**

- Read lights (car, bus, aircraft)
- Portable (flashlight, bicycle)
- Bollards / Security / Garden
- Traffic signaling / Beacons
- In door / Out door Commercial lights
- Automotive Ext

**■Outline Dimension**

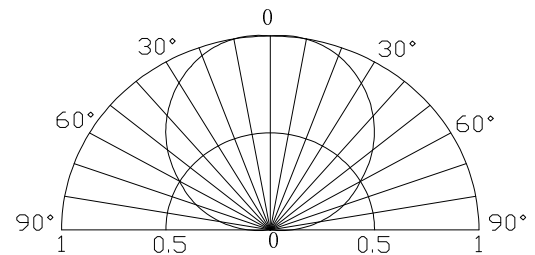


**■Absolute Maximum Rating**

(Ta=25°C)

Item	Symbol	Value		Unit
		W/B/G	Y/R	
DC Forward Current	I <sub>F</sub>	80	80	mA
Pulse Forward Current*	I <sub>FP</sub>	150	150	mA
Reverse Voltage	V <sub>R</sub>	5	5	V
Power Dissipation	P <sub>D</sub>	272	192	mW
Operating Temperature	Topr	-30 ~ +85		°C
Storage Temperature	Tstg	-40~ +100		°C
Lead Soldering Temperature	Tsol	260°C/10sec		-

**■Directivity**



\*Pulse width Max.10ms Duty ratio max 1/10

**■Electrical -Optical Characteristics**

(Ta=25°C)

Part Number	Color		V <sub>F</sub> (V)			I <sub>R</sub> (μA)	Φ <sub>v</sub> (lm)*			λ <sub>d</sub> (nm)*			2θ1/2(deg)
			Min.	Typ.	Max.		Max.	Min.	Typ.	Max.	Min.	Typ.	
			I <sub>F</sub> =60mA			V <sub>R</sub> =5V		I <sub>F</sub> =60mA					
OSW52835C1H-60mA	Cool White	W	2.8	3.0	3.4	10	16	18	-	CCT:9000~14000K			120
OSW42835C1H-60mA	White	W	2.8	3.0	3.4	10	20	22	-	CCT:4500~7000K			120
OSM52835C1H-60mA	Warm White	M	2.8	3.0	3.4	10	18	20	-	CCT:2800~4500K			120
OSB42835C1H-60mA	Blue	B	2.8	3.0	3.4	10	2	4	-	455	460	470	120
OSG52835C1H-60mA	Pure Green	PG	2.8	3.0	3.4	10	10	15	-	520	525	530	120
OSY52835C1H-60mA	Yellow	Y	1.8	2.0	2.4	10	4	6	-	585	590	595	120
OSR52835C1H-60mA	Red	R	1.8	2.0	2.4	10	4	6	-	620	625	630	120

\*1 Tolerance of measurements of chromaticity coordinate is ±10%

\*2 Tolerance of measurements of dominant wavelength is ±1nm

\*3 Tolerance of measurements of luminous flux is ±15%

\*4 Tolerance of measurements of forward voltage is ±0.1V

\*5. Don't drive at rated current more than 5s without heat sink for Power Top H emitter series.