

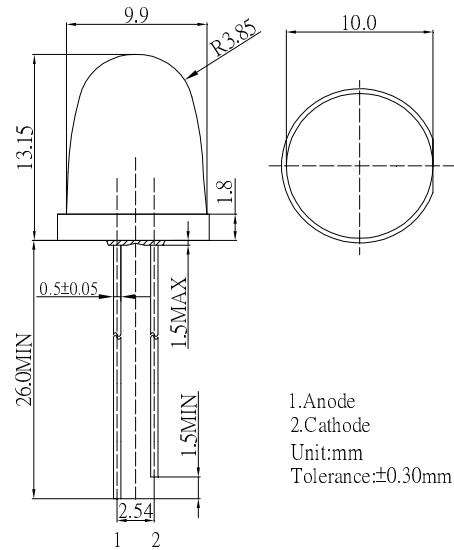
### ■ Features

- High Luminous LEDs
- 10mm Bullet Standard Directivity
- Long Lifetime Operation
- Superior Weather-resistance
- UV Resistant Epoxy
- Water Clear Type

### ■ Applications

- Electronic Signs And Signals
- Small Area Illuminations
- Back Lighting
- Other Lighting

### ■ Outline Dimension



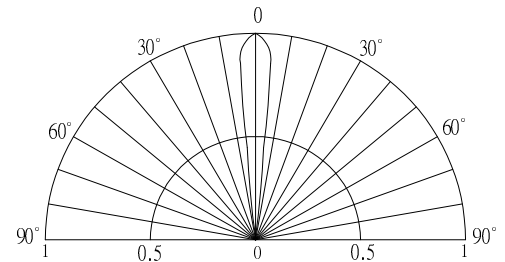
### ■ Absolute Maximum Rating

(Ta=25°C)

| Item                       | Symbol           | Value      | Unit |
|----------------------------|------------------|------------|------|
| DC Forward Current         | I <sub>F</sub>   | 30         | mA   |
| Pulse Forward Current*     | I <sub>FP</sub>  | 100        | mA   |
| Reverse Voltage            | V <sub>R</sub>   | 5          | V    |
| Power Dissipation          | P <sub>D</sub>   | 108        | mW   |
| Operating Temperature      | T <sub>opr</sub> | -30 ~ +85  | °C   |
| Storage Temperature        | T <sub>stg</sub> | -40 ~ +100 | °C   |
| Lead Soldering Temperature | T <sub>sol</sub> | 260°C/5sec | -    |

\*Pulse width Max 10ms , Duty ratio max 1/10

### ■ Directivity



### ■ Electrical -Optical Characteristics

(Ta=25°C)

| Item                      | Symbol            | Condition            | Min.  | Typ.  | Max. | Unit |
|---------------------------|-------------------|----------------------|-------|-------|------|------|
| DC Forward Voltage        | V <sub>F</sub>    | I <sub>F</sub> =20mA | 2.9   | 3.1   | 3.6  | V    |
| DC Reverse Current        | I <sub>R</sub>    | V <sub>R</sub> =5V   | -     | -     | 10   | μA   |
| Luminous Intensity*       | I <sub>v</sub>    | I <sub>F</sub> =20mA | 10000 | 12000 | -    | mcd  |
| Chromaticity Coordinates* | x                 | I <sub>F</sub> =20mA | -     | 0.45  | -    |      |
|                           | y                 | I <sub>F</sub> =20mA | -     | 0.17  | -    |      |
| 50% Power Angle           | 2θ <sub>1/2</sub> | I <sub>F</sub> =20mA | -     | 8     | -    | deg  |

\*1 Tolerance of measurements of chromaticity coordinate is ±10%

\*2 Tolerance of measurements of luminous intensity is ±15%

\*3 Tolerance of measurements of forward voltage is ±0.1V