

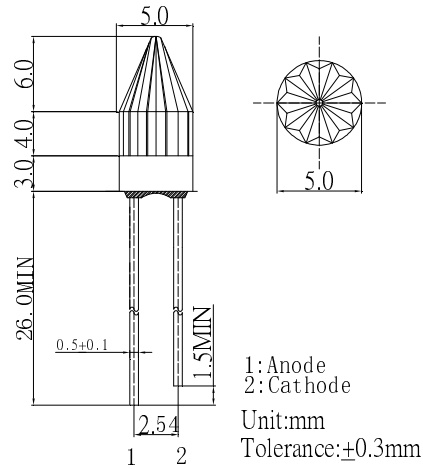
### ■ Features

- High Luminous LEDs
- 5mm Rocket Standard Directivity
- Superior Weather-resistance
- UV Resistant Epoxy
- Water Clear Type

### ■ Applications

- Decorations
- Toys & Games

### ■ Outline Dimension

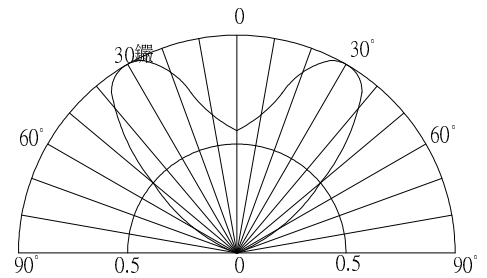


### ■ Absolute Maximum Rating

(Ta=25°C)

Item	Symbol	Value		Unit
		W/M/K/B/PG	Y/O/R	
DC Forward Current	I <sub>F</sub>	30	30	mA
Pulse Forward Current*	I <sub>FP</sub>	100	100	mA
Reverse Voltage	V <sub>R</sub>	5	5	V
Power Dissipation	P <sub>D</sub>	108	78	mW
Operating Temperature	Topr	-30 ~ +85		°C
Storage Temperature	Tstg	-40 ~ +100		°C
Lead Soldering Temperature	Tsol	260°C/5sec		-

### ■ Directivity



\*Pulse width Max.10ms Duty ratio max 1/10

### ■ Electrical -Optical Characteristics

(Ta=25°C)

Part Number	Color		V <sub>F</sub> (V)			I <sub>R</sub> (μA)	I <sub>v</sub> (mcd)			λD (nm)			θ1/2 (deg)
			Min.	Typ.	Max.	Max.	Min.	Typ.	Max.	Min.	Typ.	Max.	Typ.
			I <sub>F</sub> =20mA			V <sub>R</sub> =5V	I <sub>F</sub> =20mA						
OSW5DK58A1B	White	W	2.8	3.1	3.6	10	1560	2180	-	-	X=0.27, Y=0.28	-	100
OSM5DK58A1B	Warm White	M	2.8	3.1	3.6	10	1120	1560	-	-	X=0.45, Y=0.41	-	100
OSK5DK58A1B	Pink	K	2.8	3.1	3.6	10	750	1120	-	-	X=0.45, Y=0.17	-	100
OSB5SA58A1B	Blue	B	2.8	3.1	3.6	10	1120	1560	-	465	465	475	100
OSG5DA58A1B	Pure Green	PG	2.8	3.1	3.6	10	1560	2180	-	520	525	530	100
OSY5PA58A1B	Yellow	Y	1.8	2.1	2.6	10	1120	1560	-	585	590	595	100
OSO5PA58A1B	Orange	O	1.8	2.1	2.6	10	1120	1560	-	600	605	610	100
OSR5PA58A1B	Red	R	1.8	2.1	2.6	10	1120	1560	-	620	625	630	100

\*1 Tolerance of measurements of chromaticity coordinates is ±10%

\*2 Tolerance of measurements of dominant wavelength is ±1nm

\*3 Tolerance of measurements of luminous intensity is ±15%

\*4 Tolerance of measurements of forward voltage is ±0.1V

LED & Application Technologies

