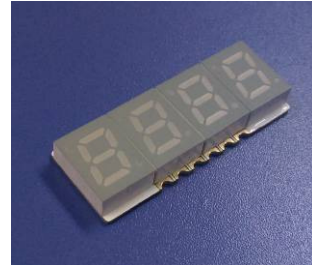


0.28 Inch Four Digit SMD Display
OSK4028A-IX(Common Anode type)
OSK4028A-LX (Common Cathode type)

■ **Features**

- 0.28 Four Digit Display
- Long lifetime operation
- IC compatible
- Low power dissipation
- Gray surface & white segment or dot
- RoHS compliant

■ **Photo**



■ **Applications**

- Counting device
- Clock







■ **Absolute Maximum Rating (Ta=25°C)**

Item	Symbol	Value		Unit
		B/TG	YG/Y/O/R	
DC Forward Current	I _F	25	25	mA
Pulse Forward Current*	I _{FP}	80	80	mA
Reverse Voltage	V _R	5	5	V
Power Dissipation	P _t	90	65	mW
Operating Temperature	T _{opr}	-30~ +85		°C
Storage Temperature	T _{stg}	-40~ +100		°C
Lead Soldering Temperature(1.6mm Below body)	T _{sol}	260°C/3sec		°C

*Pulse width Max.10ms Duty ratio max 1/10

*Reflow time Max.3seconds

■ **Electrical -Optical Characteristics (Ta=25°C)**

Part Number	Color		V _F (V)			I _R (μA)	I _v (mcd)			λD(nm)			
			Min.	Typ.	Max.	Max.	Min.	Typ.	Max.	Min.	Typ.	Max.	
			I _F =20mA			V _R =5V	I _F =10mA			I _F =20mA			
OSK4028A-IB(LB)	Blue	B		-	3.1	3.6	100	3	9	15	465	470	475
OSK4028A-IG(LG)	True green	TG		-	3.1	3.6	100	5	10	15	510	520	530
OSK4028A-IYG(LYG)	Yellow green	YG		-	2.1	2.6	100	2	6	10	565	570	575
OSK4028A-IY(LY)	Yellow	Y		-	2.1	2.6	100	2	6	10	585	590	595
OSK4028A-IO(LO)	Orange	O		-	2.1	2.6	100	2	6	10	600	605	610
OSK4028A-IR(LR)	Red	R		-	2.1	2.6	100	2	6	10	625	630	640

*1 Tolerance of measurements of dominant wavelength is±1nm

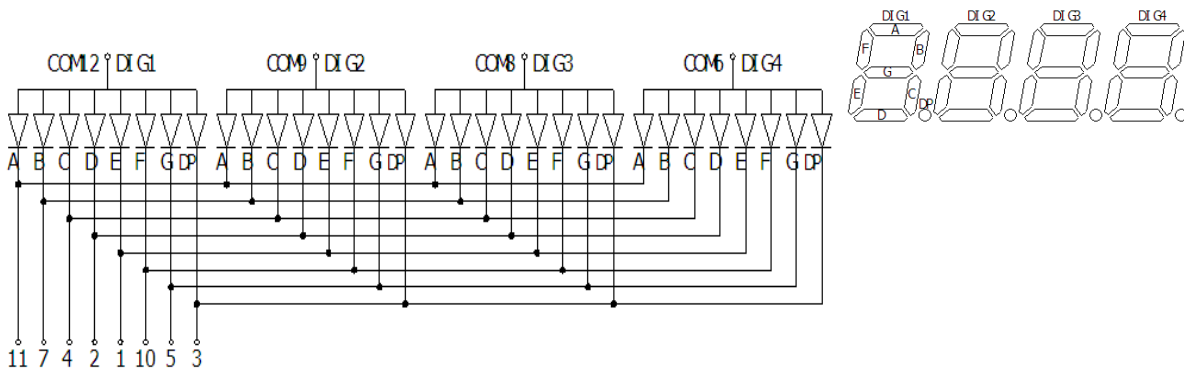
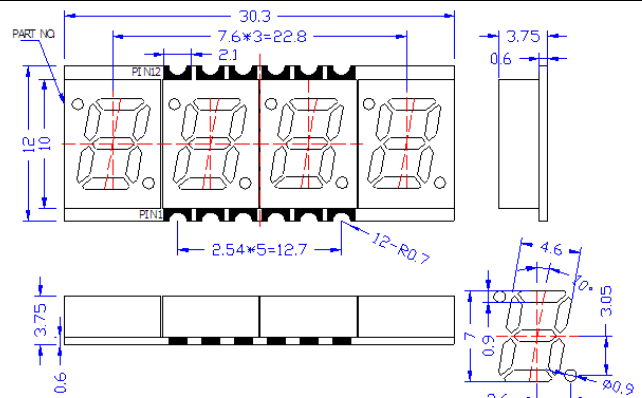
*2 Tolerance of measurements of luminous intensity is±15%

*3 Tolerance of measurements of forward voltage is±0.1V

■ Package Dimensions

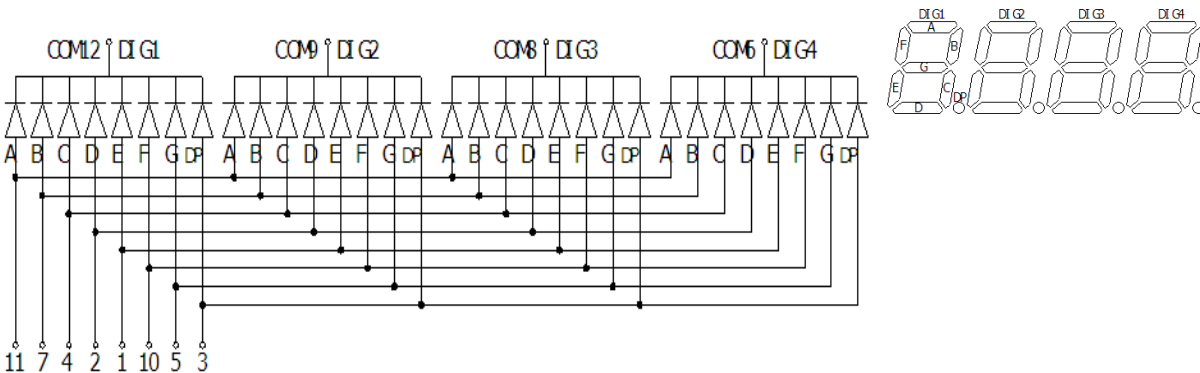
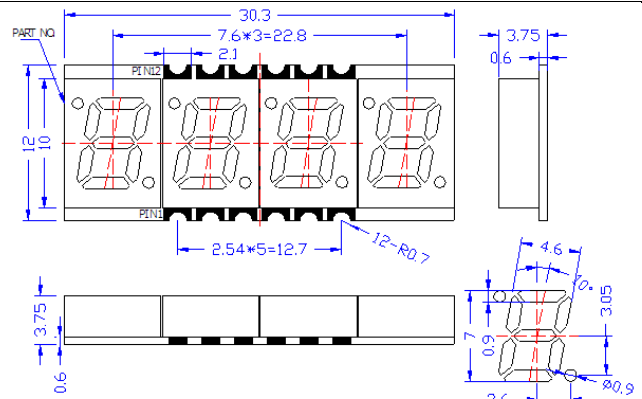
**OSK4028A-IX
(Common Anode type)**

Note:
1,Unit : mm(Tolerance:±0.25mm unless
otherwise noted)

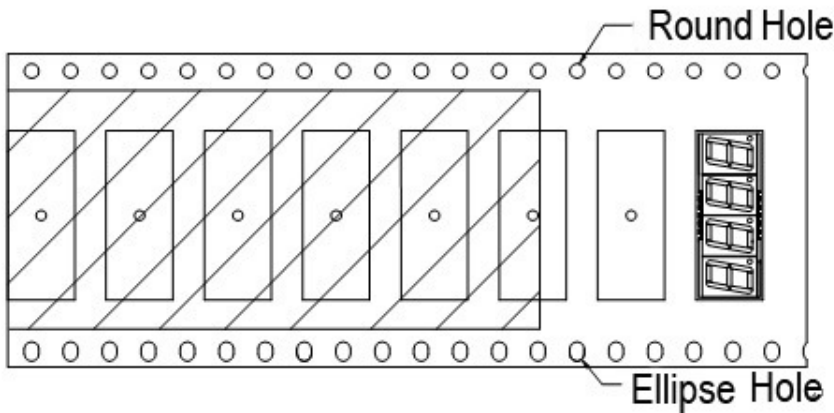


**OSK4028A-LX
(Common Cathode type)**

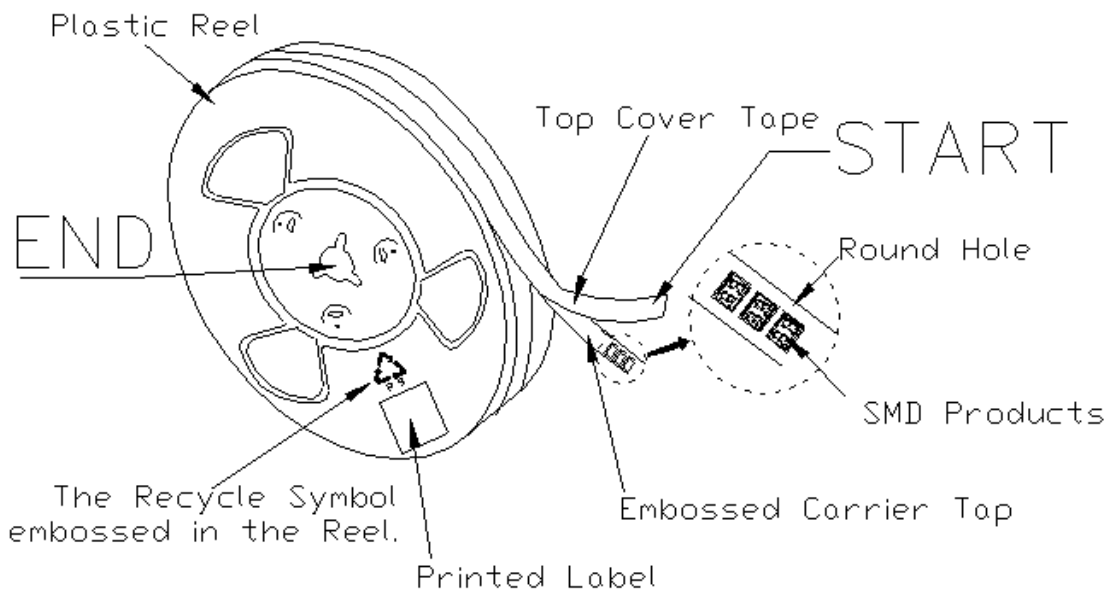
Note:
1,Unit : mm(Tolerance:±0.25mm unless
otherwise noted)



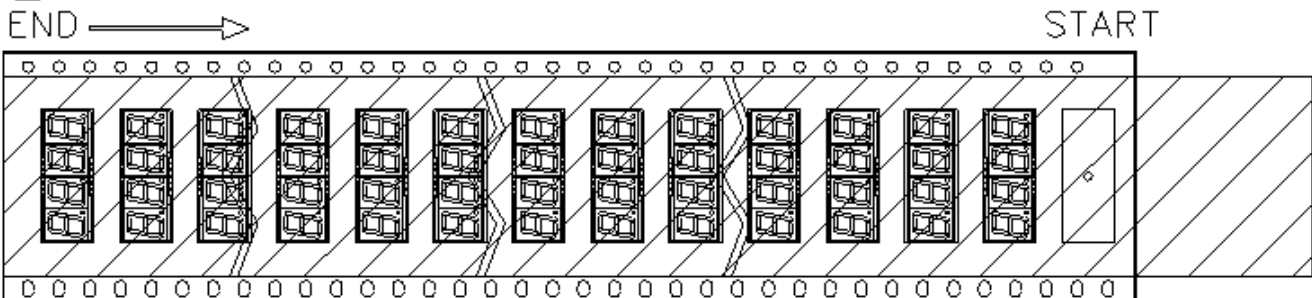
■ **The Products In The Reel Of Direction**



■ **Label Direction & Content In The Roll**



■ **USER FEED DIRECTION**



Package Criteria:

1. Total unit per reel is 500PCS.
2. Max 5 reels/2500PCS are packaged in each carton

↵
↵
↵



CAUTION

This bag contains

MOISTURE-SENSITIVE DEVICES

LEVEL

3

1. Calculated shelf life in sealed bag:12 months at<40°C and <90% relative humidity (RH) .
2. Peak package body temperature:Per Product Label
3. After bag is opened,devices that will be subjected to reflow solder or other high temperature process must be
 - a)Mounted within:168 hours of factory conditions $\leq 30^{\circ}\text{C}/60\% \text{RH}$
 - b)stored per J-STD-033
4. Devices require bake,before mounting,if:
 - a)Humidity Indicator Card is $>10\%$ when read at $23 \pm 5^{\circ}\text{C}$
 - b)3a or 3b not met.
- 5.If baking is required,devices may be baked for 20 hours at $60 \pm 5^{\circ}\text{C}$

Bag Seal Date: _____

If Blank,see adjacent bar code label

Note:Level and body temperature defined by IPC/JEDEC J-STD-020