

0.3 Inch Four Digit Display
OSL40302-IX (Common Anode type)
OSL40302-LX (Common Cathode type)

■ **Features**

- 0.3 Inch Four Digit Display
- Long lifetime operation
- IC compatible
- Low power dissipation

■ **Applications**







- Counting device
- Clock

■ **Absolute Maximum Rating** (Ta=25°C)

Item	Symbol	Value		Unit
		RA/R/YG/Y	B/G/W	
DC Forward Current	I _F	20	20	mA
Pulse Forward Current*	I _{FP}	100	100	mA
Reverse Voltage	V _R	5	5	V
Power Dissipation	P _t	44	66	mW
Operating Temperature	Topr	-30 ~ +70		°C
Storage Temperature	Tstg	-40~ +85		°C
Lead Soldering Temperature(1.6mm from seating plane)	Tsol	260°C/5sec		°C

*Pulse width Max.10ms Duty ratio max 1/10

■ **Electrical -Optical Characteristics** (Ta=25°C)

Part Number	Color		V _F (V)			I _R (μA)	I _v (mcd)			λD(nm)			
			Min.	Typ.	Max.	Max.	Min.	Typ.	Max.	Min.	Typ.	Max.	
			I _F =20mA			V _R =5V	I _F =20mA						
OSL40302-IW(LW)	White	W	-	3.3	3.5	20	-	65	-	X=0.27 · Y=0.28			
OSL40302-IB(LB)	Blue	B		-	3.3	3.5	20	-	65	-	-	470	-
OSL40302-IG(LG)	Pure Green	G		-	3.3	3.5	20	-	189	-	-	525	-
OSL40302-IYG(LYG)	Yellow Green	YG		-	2.2	2.4	20	-	12	-	-	571	-
OSL40302-IY(LY)	Yellow	Y		-	2.1	2.5	20	-	55	-	-	590	-
OSL40302-IR(LR)	Red	R		-	2.1	2.5	20	-	26	-	-	640	-
OSL40302-IRA(LRA)	High Luminance Red	RA		-	2.1	2.5	20	-	100	-	-	625	-

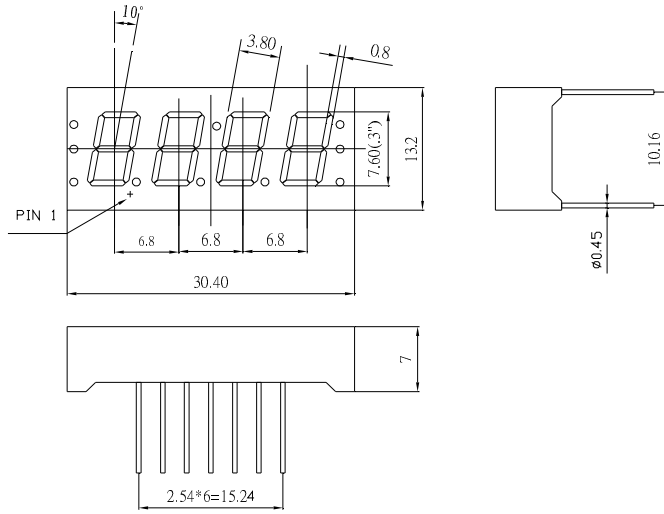
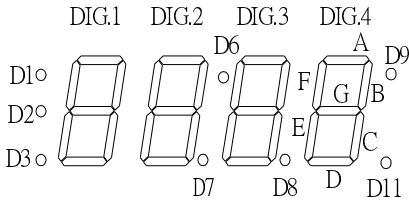
*1 Tolerance of measurements of dominant wavelength is ±1nm

*2 Tolerance of measurements of luminous intensity is ±15%

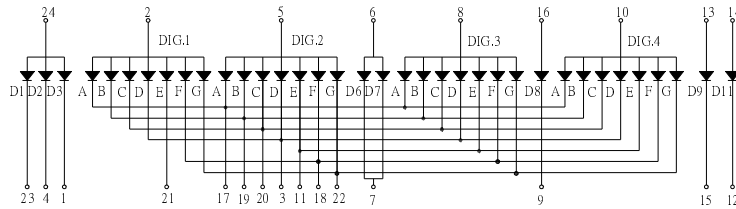
*3 Tolerance of measurements of forward voltage is ±0.1V

Package Dimensions and Pin Function

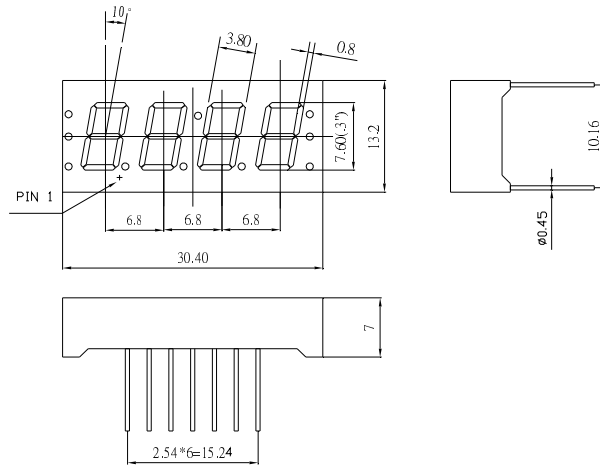
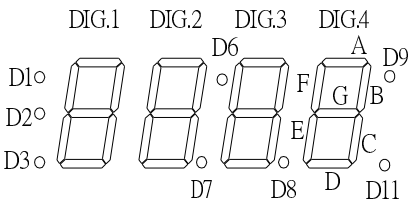
**OSL40302-IX
(Common Anode type)**



- Note:
- Unit : mm(Tolerance:±0.25mm unless otherwise noted)
 - The slope angle of any PIN may be±5.0°Max



**OSL40302-LX
(Common Cathode type)**



- Note:
- Unit : mm(Tolerance:±0.25mm unless otherwise noted)
 - The slope angle of any PIN may be±5.0°Max

