

■ **Features**

- 0.56 Inch Three Digit Display
- Long lifetime operation
- IC compatible
- Low power dissipation

■ **Applications**

- Counting device
- Clock

■ **Absolute Maximum Rating** (Ta=25°C)

■ **Photo**



Item	Symbol	Value		Unit
		RA/R/YG/Y	B/G/W	
DC Forward Current	I _F	20	20	mA
Pulse Forward Current*	I _{FP}	100	100	mA
Reverse Voltage	V _R	5	5	V
Power Dissipation	P _t	44	66	mW
Operating Temperature	Topr	-30 ~ +70		°C
Storage Temperature	Tstg	-40~ +85		°C
Lead Soldering Temperature(1.6mm from seating plane)	Tsol	260°C/5sec		°C

*Pulse width Max.10ms Duty ratio max 1/10

■ **Electrical -Optical Characteristics** (Ta=25°C)

Part Number	Color		V _F (V)			I _R (μA)	I _v (mcd)			λD(nm)		
			Min.	Typ.	Max.	Max.	Min.	Typ.	Max.	Min.	Typ.	Max.
			I _F =20mA			V _R =5V	I _F =20mA					
OSL30561-IW /LW	White	W	-	3.3	4.0	20	-	65	-	X=0.28, Y=0.29		
OSL30561-IB /LB	Blue	B	-	3.3	4.0	20	-	50	-	-	470	-
OSL30561-IG /LG	Pure Green	G	-	3.3	4.0	20	-	200	-	-	525	-
OSL30561-IYG /LYG	Yellow Green	YG	-	2.2	2.6	20	-	12	-	-	571	-
OSL30561-IY /LY	Yellow	Y	-	2.1	2.5	20	-	60	-	-	590	-
OSL30561-IR /LR	Red	R	-	2.1	2.5	20	-	20	-	-	630	-
OSL30561-IRA /LRA	High Red	RA	-	2.1	2.5	20	-	100	-	-	625	-

*1 Tolerance of measurements of dominant wavelength is ±1nm

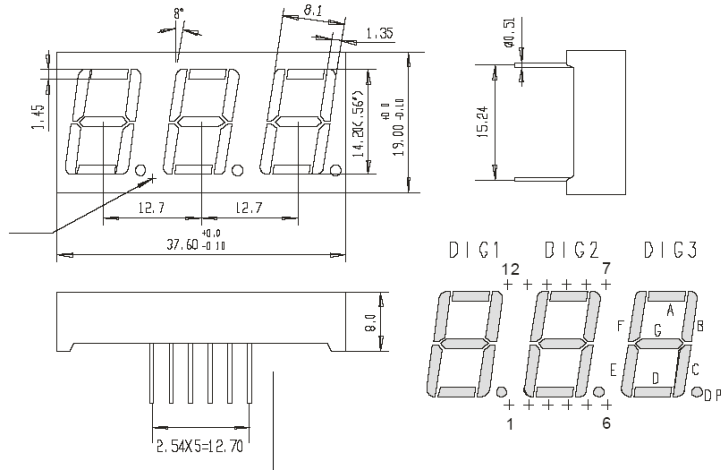
*2 Tolerance of measurements of luminous intensity is ±15%

*3 Tolerance of measurements of forward voltage is±0.1V

*4 Tolerance of measurements of chromaticity coordinate is ±10%

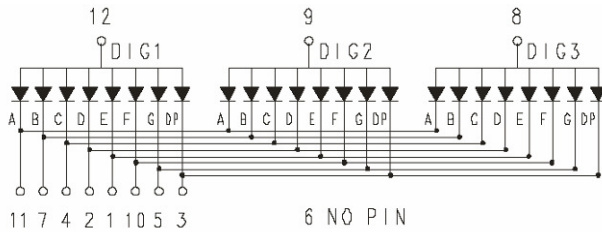
Package Dimensions and Pin Function

**OSL30561-IX
(Common Anode type)**

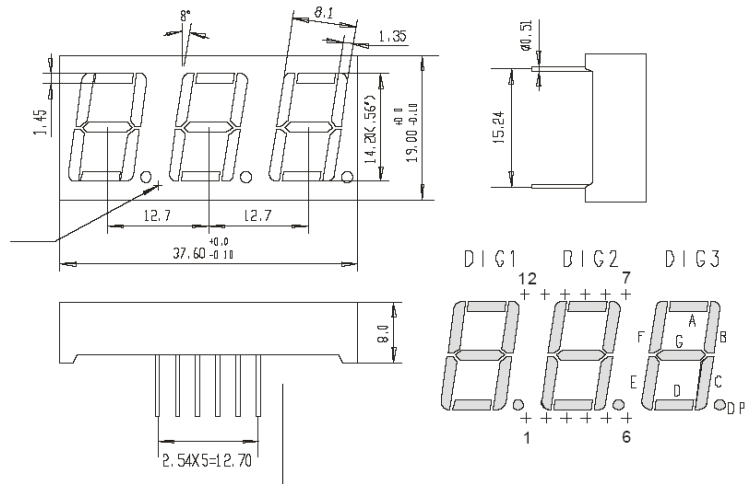


Note:

- 1, Unit : mm (Tolerance: ± 0.25 mm unless otherwise noted)
- 2, The slope angle of any PIN may be $\pm 5.0^\circ$ Max



**OSL30561-LX
(Common Cathode type)**



Note:

- 1, Unit : mm (Tolerance: ± 0.25 mm unless otherwise noted)
- 2, The slope angle of any PIN may be $\pm 5.0^\circ$ Max

