

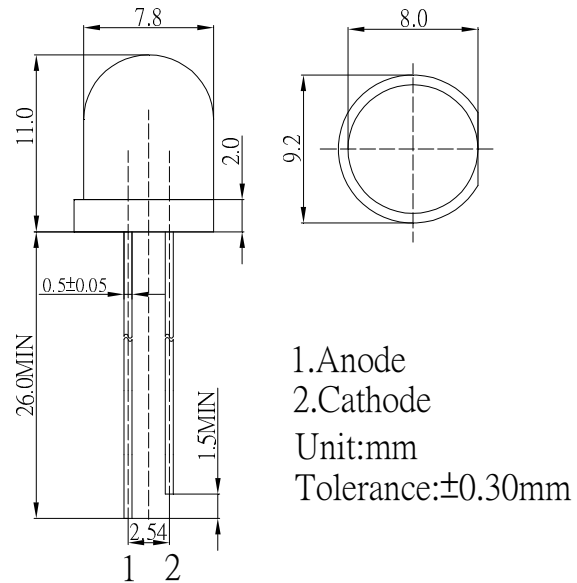
■ **Features**

- High Luminous LEDs
- 8mm Round Standard Directivity
- Long Lifetime Operation
- Superior Weather-resistance
- UV Resistant Epoxy
- Water Clear Type

■ **Applications**

- Electronic Signs And Signals
- Small Area Illuminations
- Back Lighting
- Other Lighting

■ **Outline Dimension**

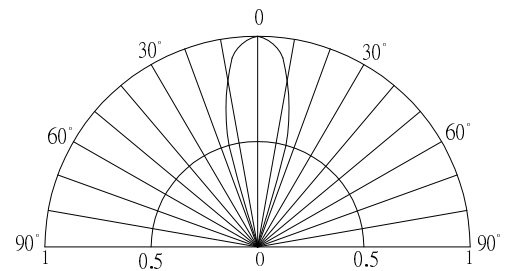


■ **Absolute Maximum Rating**

(Ta=25°C)

| Item | Symbol | Value | Unit |
|----------------------------|------------------|------------|------|
| DC Forward Current | I _F | 30 | mA |
| Pulse Forward Current* | I _{FP} | 100 | mA |
| Reverse Voltage | V _R | 5 | V |
| Power Dissipation | P _D | 108 | mW |
| Operating Temperature | T _{opr} | -30 ~ +85 | °C |
| Storage Temperature | T _{stg} | -40 ~ +100 | °C |
| Lead Soldering Temperature | T _{sol} | 260°C/5sec | - |

■ **Directivity**



*Pulse width Max 10ms , Duty ratio max 1/10

■ **Electrical -Optical Characteristics**

(Ta=25°C)

| Item | Symbol | Condition | Min. | Typ. | Max. | Unit |
|---------------------------|-------------------|----------------------|-------|-------|------|------|
| DC Forward Voltage | V _F | I _F =20mA | 2.9 | 3.1 | 3.6 | V |
| DC Reverse Current | I _R | V _R =5V | - | - | 10 | μA |
| Luminous Intensity* | I _v | I _F =20mA | 30000 | 36000 | - | mcd |
| Chromaticity Coordinates* | x | I _F =20mA | - | 0.27 | - | |
| | y | I _F =20mA | - | 0.28 | - | |
| 50% Power Angle | 2θ _{1/2} | I _F =20mA | - | 30 | - | deg |

*1 Tolerance of measurements of chromaticity coordinate is ±10%

*2 Tolerance of measurements of luminous intensity is ±15%

*3 Tolerance of measurements of forward voltage is ±0.1V