

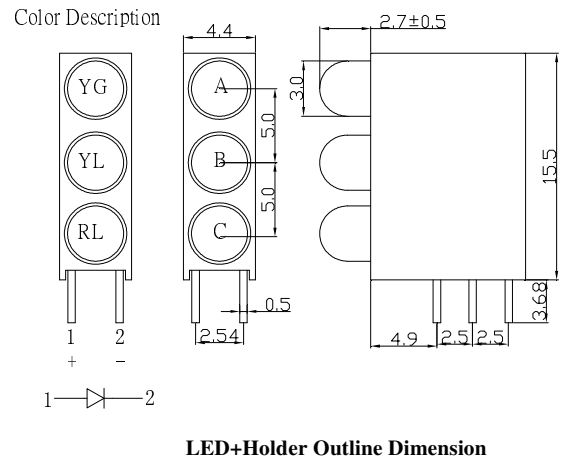
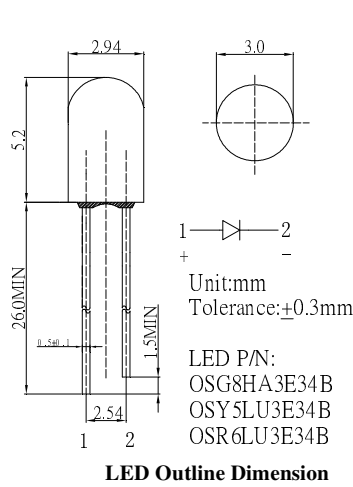
**■Features**

- High Luminous LEDs
- 3mm Round Standard Directivity
- Superior Weather-resistance
- UV Resistant Epoxy
- Color Diffused Type
- Holder Color: Black

**■Applications**

- Indicate Lamp
- Toys/Games/ Audio
- Other Lighting

**■Outline Dimension**



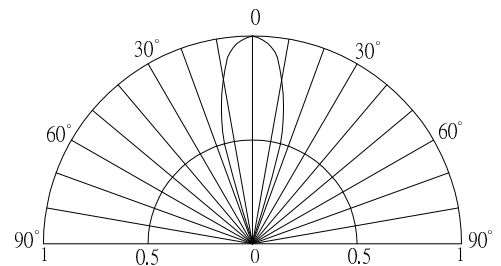
**■Absolute Maximum Rating**

(Ta=25°C)

Item	Symbol	Value			Unit
		Red	YL	YG	
DC Forward Current	I <sub>F</sub>	30	30	30	mA
Pulse Forward Current*	I <sub>FP</sub>	100	100		mA
Reverse Voltage	V <sub>R</sub>	5	5	5	V
Power Dissipation	P <sub>D</sub>	78	78	78	mW
Operating Temperature	Topr	-30~ +85			°C
Storage Temperature	Tstg	-40 ~ +100			°C
Lead Soldering Temperature	Tsol	260°C/5sec			-

\*Pulse width Max.10ms Duty ratio max 1/10

**■Directivity**



**■Electrical -Optical Characteristics**

(Ta=25°C)

Item	Symbol	Condition	Min.	Typ.	Max.	Unit
DC Forward Voltage	V <sub>F</sub> (R/Y/YG)	I <sub>F</sub> =20mA	1.8	2.1	2.6	V
DC Reverse Current	I <sub>R</sub>	V <sub>R</sub> =5V	-	-	10	μA
Domi. Wavelength	λ <sub>D</sub> (YG)	I <sub>F</sub> =20mA	565	570	575	nm
	λ <sub>D</sub> (YL)	I <sub>F</sub> =20mA	585	590	595	nm
	λ <sub>D</sub> (Red)	I <sub>F</sub> =20mA	630	635	650	nm
Luminous Intensity	I <sub>v</sub> (YG)	I <sub>F</sub> =20mA	68	100	-	mcd
	I <sub>v</sub> (YL)	I <sub>F</sub> =20mA	100	150	-	mcd
	I <sub>v</sub> (Red)	I <sub>F</sub> =20mA	100	150	-	mcd
50% Power Angle	2θ <sub>1/2</sub>	I <sub>F</sub> =20mA	-	30	-	deg

\*1 Tolerance of measurements of dominant wavelength is ±1nm

\*2 Tolerance of measurements of luminous intensity is ±15%

\*3 Tolerance of measurements of forward voltage is ±0.1V