

Descriptions:

- Voltage available in **DC10V**
- LED Type: 1W Xeon Power LED
- MCPCB
- Lens OS-OLTX3525X available

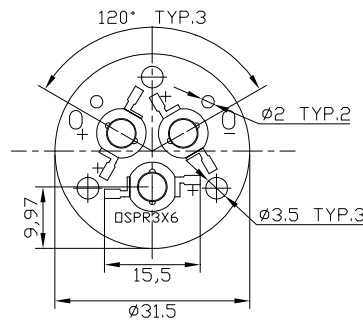
Application:

- Small space lighting
- Mechanical equipment lights

Photo

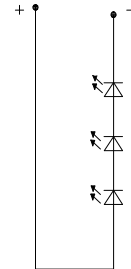


Outline Dimension



Circuit Diagram

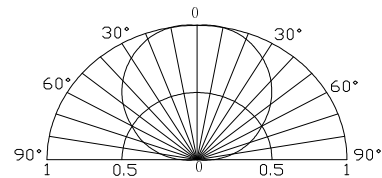
Constant Current 350mA



Unit: mm
Tolerance: ±0.3mm

Typical Performance (Ta=25°C)

Items	Symbol	Min.	Typ.	Max.	Units
LED Module Power	Pm(B, W, G)	-	3.5	4.8	w
	Pm(R, Y)	-	2.6	3.6	
Input Voltage(DC)	Vi(B, W, G)	-	10	12	V
	Vi (R, Y)	-	7.5	9	
Product Input Current	If	-	350	400	mA
Beam Pattern	BP	-	140	-	Deg
Operating Temperature	Topr	-30	-	85	°C
Storage Temperature	Tstg	-40	-	100	°C
PCB Diameter	Lmod.	-	31.5	-	mm



Device Selection Guide

Module No.	Color	Wavelength(Typ.)		Condition	Overall Luminous Flux (Typ.)
OSPR3XR6-R5XNE1E1E	Red	625 nm		IF=350mA	150 lm
OSPR3XG6-G5XNE1E1E	Pure Green	525 nm		IF=350mA	225 lm
OSPR3XB6-B4XNE1E1E	Blue	460 nm		IF=350mA	45 lm
OSPR3XY6-Y5XNE1E1E	Yellow	590 nm		IF=350mA	150 lm
OSPR3XW6-W4XNE1E1E	White	X=0.31,Y=0.33	6500K	IF=350mA	300 lm
OSPR3XM6-M5XNE1E1E	Warm White	X=0.45,Y=0.41	3000K	IF=350mA	270 lm