

E10 Current Regulative LED Screw Lamp

(CRLED)

- CRLED is LED which supplies constant current to keep LED Intensity Consistency even when power supply voltage fluctuations or load impedance fluctuations occur.
- CRLED is used with current stabilization and current limiting

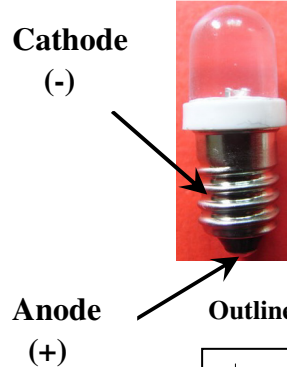
■ Features

- 8mm LED
- Water Clear Type
- DC 5.5~20V

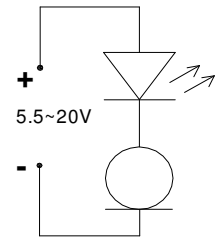
■ Applications

- Bicycle Light / Torch
- Dashboard Signal / Automotive Lighting

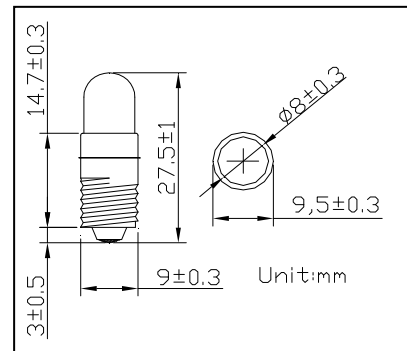
Photo



Circuit Diagram



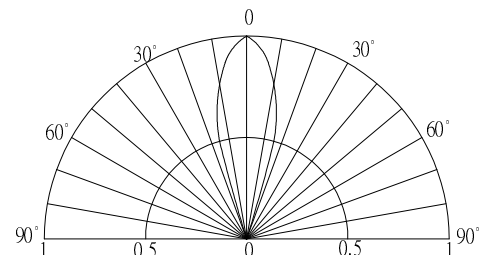
Outline Dimension



■ Absolute Maximum Rating (Ta=25°C)

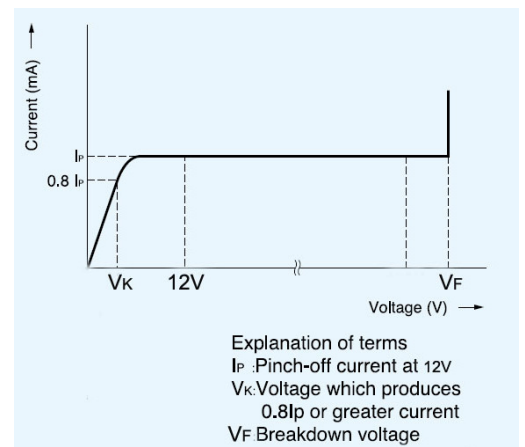
Item	Symbol	Value	Unit
DC Forward Voltage	V _F	20	V
Power Dissipation	P _D	350	mW
Operating Temperature	Topr	-30 ~ +85	°C
Storage Temperature	Tstg	-40 ~ +100	°C
Lead Soldering Temperature	Tsol	260°C/5sec	-

■ Directivity



■ Electrical -Optical Characteristics (Ta=25°C)

Part Number	Color	Control Voltage		Domi.	Luminous
		DC (V)		Wavelength*	Intensity*
		Min	Max.	Typ.	Typ.
Working Current: IF=16mA					
OPDD-W5DK8B31B-CRLED16	Cool White	5.5	20	8000-17000K	10000mcd
OPDD-M5DK8B31B-CRLED16	Warm White	5.5	20	2500-3500K	7000mcd
OPDD-B5SA8B31B-CRLED16	Blue	5.5	20	465-475nm	5800mcd
OPDD-G5DA8B31B-CRLED16	Green	5.5	20	520-530nm	10000mcd
OPDD-Y5PA8B31B-CRLED16	Yellow	5.5	20	585-595nm	7000mcd
OPDD-R5PA8B31B-CRLED16	Red	5.5	20	620-630nm	7000mcd



*1 Tolerance of measurements of chromaticity coordinate is +10%
 *2 Tolerance of measurements of luminous intensity is +15%
 *3 Tolerance of measurements of forward voltage is ±0.1V
 *4 Tolerance of measurements of dominant wavelength is ±1nm