

CURRENT REGULATIVE LED, AWG28# wire, length 100±2mm,

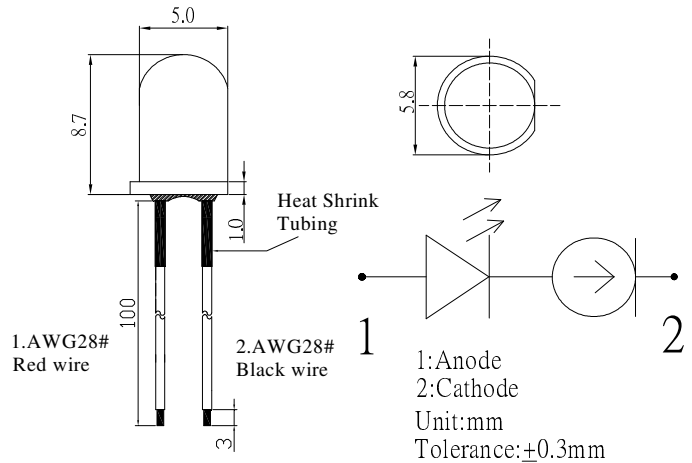
■ Outline Dimension

CRLED

- CRLED is LED which supplies constant current to keep LED Intensity Consistency even when power supply voltage fluctuations or load impedance fluctuations occur.
- CRLED is used with current stabilization and current limiting

■ Features

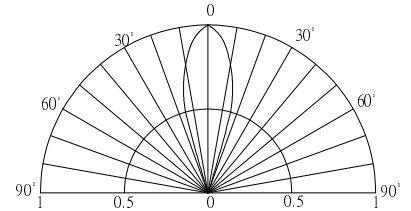
- High Luminous LEDs / 5mm Round Standard Directivity
- Superior Weather-resistance / UV Resistant Epoxy
- Water Clear Type



■ Absolute Maximum Rating (Ta=25°C)

Item	Symbol	Value	Unit
DC Forward Voltage	V _F	20	V
Power Dissipation	P _D	350	mW
Operating Temperature	T _{opr}	-30 ~ +85	°C
Storage Temperature	T _{stg}	-40 ~ +100	°C
Lead Soldering Temperature	T _{sol}	260°C / 5sec	-

■ Directivity



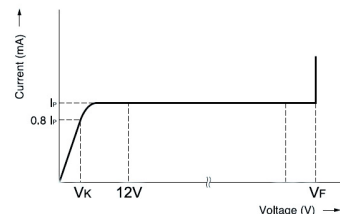
■ Electrical -Optical Characteristics (Ta=25°C)

Part Number	Color	V _F (V)		I _F (mA)			I _R (μA)	I _v (mcd)*			λD(nm)*			2θ1/2(deg)
		Min	Max.	Min	Typ.	Max.	Max..	Min.	Typ.	Max.	Min.	Typ.	Max.	Typ.
		V _F = 12V		V _R = 8V		V _F = 12V								
OSW5DK5A31A-CRLED16W	White	5.5	20	-	16	-	10	-	10000	-	X=0.27, Y=0.28			30
OSM5DK5A31A-CRLED16W	Warm White	5.5	20	-	16	-	10	-	7000	-	X=0.45, Y=0.41			30
OSK5DK5A31A-CRLED16W	Pink	5.5	20	-	16	-	10	-	2180	-	X=0.45, Y=0.17			30
OSB64L5A31A-CRLED16W	Ice Blue	5.5	20	-	16	-	10	-	8400	-	X=0.19, Y=0.29			30
OSB5SA5A31A-CRLED16W	Blue	5.5	20	-	16	-	10	-	5800	-	465	470	475	30
OSG5DA5A31A-CRLED16W	Pure Green	5.5	20	-	16	-	10	-	10000	-	520	525	530	30
OSY5PA5A31A-CRLED16W	Yellow	5	20	-	16	-	10	-	7000	-	585	590	595	30
OSO5PA5A31A-CRLED16W	Orange	5	20	-	16	-	10	-	7000	-	600	605	610	30
OSR5PA5A31A-CRLED16W	Red	5	20	-	16	-	10	-	7000	-	620	625	630	30

*1 Tolerance of measurements of chromaticity coordinate is ±10%
 *2 Tolerance of measurements of dominant wavelength is ±1nm
 *3 Tolerance of measurements of luminous intensity is ±15%
 *4 Tolerance of measurements of forward voltage is ±0.1V

■ Applications

- Electronic Signs And Signals/ Small Area Illuminations
- Back Lighting/ Toys/ Other Lighting

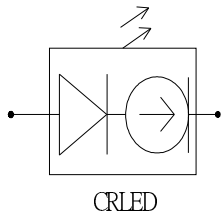


Explanation of terms
 I_F Pinch-off current at 12V
 V_K Voltage which produces 0.8I_p or greater current
 V_F Breakdown voltage

Current Regulative LED With Wire 100mm
5mm Round LED
OSXXXX5A31A-CRLED16W

■ Typical Applications

1: Single LED



2: Multi- LEDs in series

