

CURRENT REGULATIVE LED

CRLED

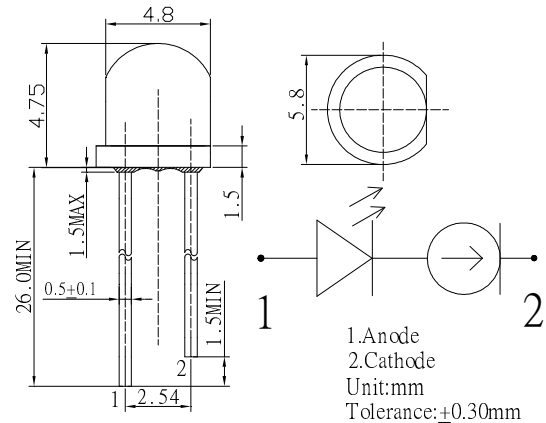
- CRLED is LED which supplies constant current to keep LED Intensity Consistency even when power supply voltage fluctuations or load impedance fluctuations occur.

- CRLED is used with current stabilization and current limiting

■ Features

- High Luminous LEDs / 4.8mm Straw Standard Directivity
- Superior Weather-resistance / UV Resistant Epoxy
- Water Clear Type

■ Outline Dimension

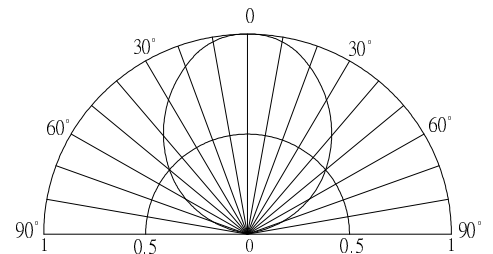


■ Absolute Maximum Rating

(Ta=25°C)

Item	Symbol	Value	Unit
DC Forward Voltage	V _F	20	V
Power Dissipation	P _D	350	mW
Operating Temperature	Topr	-30 ~ +85	°C
Storage Temperature	Tstg	-40 ~ +100	°C
Lead Soldering Temperature	Tsol	260°C/5sec	-

■ Directivity



■ Electrical -Optical Characteristics

(Ta=25°C)

Part Number	Color	V _F (V)		I _F (mA)			I _R (μA)	I _v (mcd)*			λD(nm)*			2θ1/2(deg)
		Min	Ma	Min	Typ.	Max.	Max..	Min.	Typ.	Max.	Min.	Typ.	Max.	Typ.
			x.	V _F =12V			V _R =8V	V _F =12V						
OSW5DK56A1A-CRLED16	White	5.5	20		16	-	10	-	1120	-	X=0.27, Y=0.28			100
OSM5DK56A1A-CRLED16	Warm White	5.5	20		16	-	10	-	750	-	X=0.45, Y=0.41			100
OSK5DK56A1A-CRLED16	Pink	5.5	20		16	-	10	-	220	-	X=0.45, Y=0.17			100
OSB64L56A1A-CRLED16	Ice Blue	5.5	20		16	-	10	-	1560	-	X=0.19, Y=0.29			100
OSB5SA56A1A-CRLED16	Blue	5.5	20		16	-	10	-	500	-	465	470	475	100
OSG5DA56A1A-CRLED16	Pure Green	5.5	20		16	-	10	-	2180	-	520	525	530	100
OSY5PA56A1A-CRLED16	Yellow	5	20		16	-	10	-	750	-	585	590	595	100
OSO5PA56A1A-CRLED16	Orange	5	20		16	-	10	-	750	-	600	605	610	100
OSR5PA56A1A-CRLED16	Red	5	20		16	-	10	-	750	-	620	625	630	100

*1 Tolerance of measurements of chromaticity coordinate is ±10%

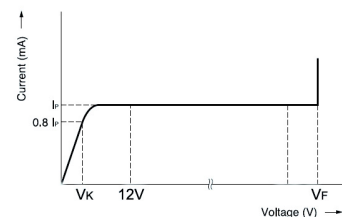
*2 Tolerance of measurements of dominant wavelength is ±1nm

*3 Tolerance of measurements of luminous intensity is ±15%

*4 Tolerance of measurements of forward voltage is ±0.1V

■ Applications

- Electronic Signs And Signals/ Small Area Illuminations
- Back Lighting/ Toys/ Other Lighting

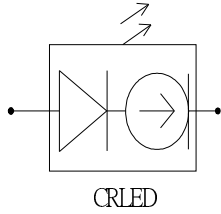


Explanation of terms
I_p Pinch-off current at 12v
V_k Voltage which produces 0.8I_p or greater current
V_F Breakdown voltage

Current Regulative LED
4.8mm Straw LED
OSXXXX56A1A-CRLED16
VER A.1

■ **Typical Applications**

1: Single LED



2: Multi- LEDs in series

