

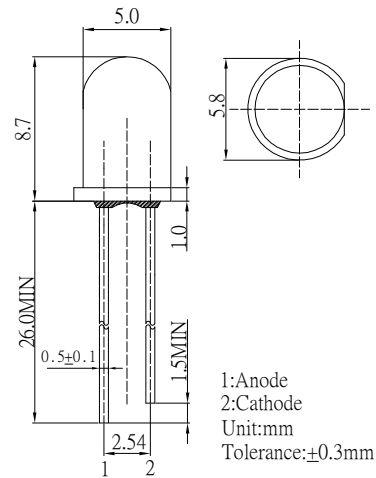
■ Features

- High Luminous LEDs
- 5mm Round Standard Directivity
- Superior Weather-resistance
- Flashing Type
- White Diffused Type

■ Applications

- Toys
- Games
- Audio
- Other Lighting

■ Outline Dimension

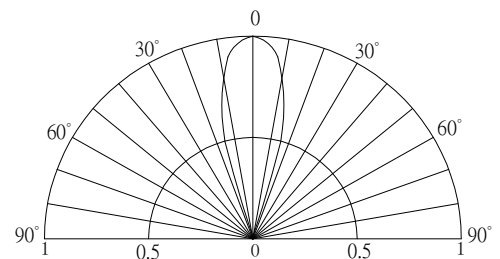


■ Absolute Maximum Rating

(Ta=25°C)

| Item | Symbol | Value | Unit |
|----------------------------|---------|------------|------|
| Power Supply | Voltage | 5 | V |
| Operating Temperature | Topr | -30 ~ +85 | °C |
| Storage Temperature | Tstg | -40 ~ +100 | °C |
| Lead Soldering Temperature | Tsol | 260°C/5sec | - |

■ Directivity



■ Electrical -Optical Characteristics

(Ta=25°C)

| Item | Symbol | Conditio | Min. | Typ. | Max. | Unit |
|-----------------------|------------------------|----------------------|------|------|------|------|
| DC Forward Voltage | V _{dd} | I _F =20mA | 3.8 | 4.5 | 5.0 | V |
| Oscillator Frequency* | F _{led} | I _F =20mA | - | 12 | - | S |
| Duty Cycle | Duty | I _F =20mA | - | - | - | - |
| Domi. Wavelength* | λ _D (Red) | I _F =20mA | 620 | 625 | 630 | nm |
| | λ _D (Blue) | I _F =20mA | 465 | 470 | 475 | nm |
| | λ _D (Green) | I _F =20mA | 520 | 525 | 530 | nm |
| Luminous Intensity* | I _v (Red) | I _F =20mA | 3000 | 4000 | - | mcd |
| | I _v (Blue) | I _F =20mA | 1560 | 2180 | - | mcd |
| | I _v (Green) | I _F =20mA | 5800 | 7000 | - | mcd |
| 50% Power Angle | 2θ _{1/2} | I _F =20mA | - | 30 | - | deg |

*1 Tolerance of measurements of dominant wavelength is ±1nm

*2 Tolerance of measurements of luminous intensity is ±15%

*3 Tolerance of measurements of Frequency is ±20%

*4 Tolerance of measurements of forward voltage is ±0.1V