

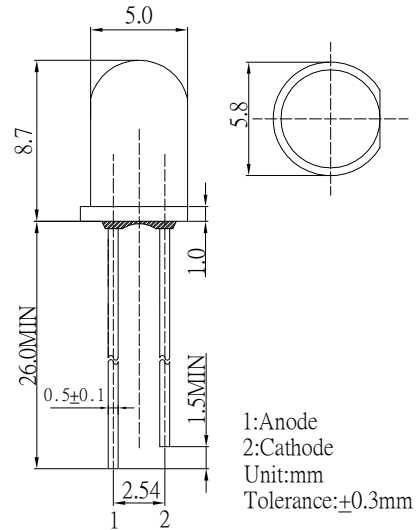
**■Features**

- High Luminous LEDs
- 5mm Round Standard Directivity
- Superior Weather-resistance
- Flashing Type
- Water Clear Type

**■Applications**

- Toys
- Games
- Audio
- Other Lighting

**■Outline Dimension**

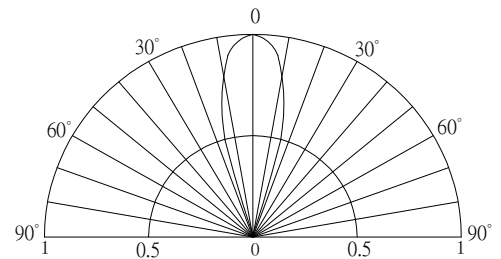


**■Absolute Maximum Rating**

(Ta=25°C)

| Item                       | Symbol  | Value      | Unit |
|----------------------------|---------|------------|------|
| Power Supply               | Voltage | 5          | V    |
| Operating Temperature      | Topr    | -30 ~ +85  | °C   |
| Storage Temperature        | Tstg    | -40~ +100  | °C   |
| Lead Soldering Temperature | Tsol    | 260°C/5sec | -    |

**■Directivity**



**■Electrical -Optical Characteristics**

(Ta=25°C)

| Item                  | Symbol            | Condition            | Min. | Typ. | Max. | Unit |
|-----------------------|-------------------|----------------------|------|------|------|------|
| DC Forward Voltage    | V <sub>dd</sub>   | I <sub>F</sub> =20mA | 3.0  | 3.3  | 5.0  | V    |
| Oscillator Frequency* | F <sub>led</sub>  | I <sub>F</sub> =20mA | -    | 1.8  | -    | Hz   |
| Duty Cycle            | Duty              | I <sub>F</sub> =20mA | -    | 1/2  | -    | -    |
| Domi. Wavelength*     | λ <sub>D</sub>    | I <sub>F</sub> =20mA | 585  | 590  | 595  | nm   |
| Luminous Intensity*   | I <sub>v</sub>    | I <sub>F</sub> =20mA | 2000 | 2500 | -    | mcd  |
| 50% Power Angle       | 2θ <sub>1/2</sub> | I <sub>F</sub> =20mA | -    | 30   | -    | deg  |

\*1 Tolerance of measurements of dominant wavelength is ±1nm

\*2 Tolerance of measurements of luminous intensity is ±15%

\*3 Tolerance of measurements of Frequency is ±20%

\*4 Tolerance of measurements of forward voltage is ±0.1V