

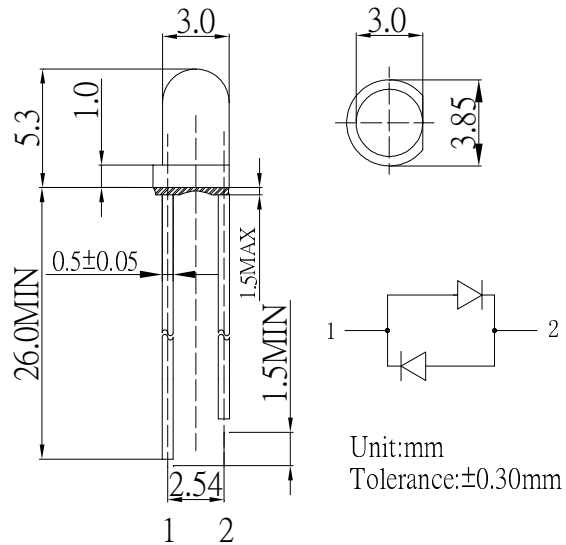
**■Features**

- High Luminous LEDs
- 3mm Round Standard Directivity
- Long Lifetime Operation
- Superior Weather-resistance
- UV Resistant Epoxy
- AC LED

**■Applications**

- Toys
- Audio
- Games
- Other Lighting

**■Outline Dimension**

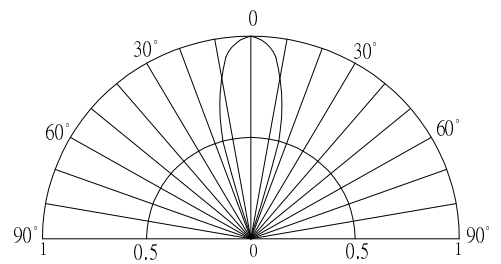


**■Absolute Maximum Rating**

(Ta=25°C)

| Item                       | Symbol          | Value      |     | Unit |
|----------------------------|-----------------|------------|-----|------|
|                            |                 | Red        | Red |      |
| DC Forward Current         | I <sub>F</sub>  | 30         | 30  | mA   |
| Pulse Forward Current*     | I <sub>FP</sub> | 100        | 100 | mA   |
| Reverse Voltage            | V <sub>R</sub>  | 5          | 5   | V    |
| Power Dissipation          | P <sub>D</sub>  | 78         | 78  | mW   |
| Operating Temperature      | Topr            | -30 ~ +85  |     | °C   |
| Storage Temperature        | Tstg            | -40~ +100  |     | °C   |
| Lead Soldering Temperature | Tsol            | 260°C/5sec |     | -    |

**■Directivity**



\*Pulse width Max.10ms Duty ratio max 1/10

**■Electrical -Optical Characteristics**

(Ta=25°C)

| Item                | Symbol               | Condition            | Min. | Typ. | Max. | Unit |
|---------------------|----------------------|----------------------|------|------|------|------|
| DC Forward Voltage  | V <sub>F</sub> (Red) | I <sub>F</sub> =20mA | 1.8  | 2.1  | 2.6  | V    |
|                     | V <sub>F</sub> (Red) | I <sub>F</sub> =20mA | 1.8  | 2.1  | 2.6  | V    |
| DC Reverse Current  | I <sub>R</sub>       | V <sub>R</sub> =5V   | -    | -    | 10   | μA   |
| Domi. Wavelength*   | λ <sub>D</sub>       | I <sub>F</sub> =20mA | 620  | 625  | 630  | nm   |
|                     | λ <sub>D</sub>       | I <sub>F</sub> =20mA | 620  | 625  | 630  | nm   |
| Luminous Intensity* | I <sub>v</sub> (Red) | I <sub>F</sub> =20mA | 1120 | 1560 | -    | mcd  |
|                     | I <sub>v</sub> (Red) | I <sub>F</sub> =20mA | 1120 | 1560 | -    | mcd  |
| 50% Power Angle     | 2θ <sub>1/2</sub>    | I <sub>F</sub> =20mA | -    | 30   | -    | deg  |

\*1 Tolerance of measurements of dominant wavelength is ±1nm

\*2 Tolerance of measurements of luminous intensity is ±15%

\*3 Tolerance of measurements of forward voltage is ±0.1V