

■ Features

- High Luminous LEDs
- 4.8mm Helmet Standard Directivity
- Superior Weather-resistance
- UV Resistant Epoxy
- Water Clear / Color Transparent/Color Diffused Type
- **Everlight:6324 Series /Cree:C535A Series**

■ Applications

- Electronic Signs And Signals
- Back Lighting
- Small Area Illuminations
- Other Lighting

■ Absolute Maximum Rating

(Ta=25°C)

Item	Symbol	Value		Unit
		W/M//B/PG	Y/O/R	
DC Forward Current	I _F	30	30	mA
Pulse Forward Current*	I _{FP}	100	100	mA
Reverse Voltage	V _R	5	5	V
Power Dissipation	P _D	108	78	mW
Operating Temperature	Topr	-30 ~ +85		°C
Storage Temperature	Tstg	-40~ +100		°C
Lead Soldering Temperature	Tsol	260°C/5sec		-

*Pulse width Max.10ms Duty ratio max 1/10

■ Electrical -Optical Characteristics

(Ta=25°C)

Part Number	Color		V _F (V)			I _R (μA)	I _v (mcd)			CCT(K)*			2θ1/2(deg)
			Min.	Typ.	Max.	Max.	Min.	Typ.	Max.	Min.	Typ.	Max.	Typ.
			I _F =20mA			V _R =5V		I _F =20mA					
OSW6DK5PA1A	Cool White	W	2.8	3.1	3.6	10	1120	1560	-	13000-35000K(X:0.25,Y:0.26)			100
OSW64K5PA1A	Cool White	W	2.7	3.0	3.6	10	1560	2180	-	13000-35000K(X:0.25,Y:0.26)			100
OSW5DK5PA1A	Cool White	W	2.8	3.1	3.6	10	1120	1560	-	8500-18000K(X:0.27,Y:0.28)			100
OSW54K5PA1A	Cool White	W	2.7	3.0	3.6	10	2180	3000	-	8500-18000K(X:0.27,Y:0.28)			100
OSW4DK5PA1A	White	W	2.8	3.1	3.6	10	1120	1560	-	5500-8500K(X:0.31,Y:0.33)			100
OSW44K5PA1A	White	W	2.7	3.0	3.6	10	2180	3000	-	5500-8500K(X:0.31,Y:0.33)			100
OSM5DK5PA1A	Warm White	M	2.8	3.1	3.6	10	1120	1560	-	2700-3200K(X:0.44,Y:0.41)			100
OSM54K5PA1A	Warm White	M	2.7	3.0	3.6	10	2180	3000	-	2700-3300K(X:0.44,Y:0.41)			100
OSM6DK5PA1A	Warm White	M	2.8	3.1	3.6	10	1120	1560	-	2900-3800K(X:0.42,Y:0.40)			100
OSM64K5PA1A	Warm White	M	2.7	3.0	3.6	10	2180	3000	-	2900-3800K(X:0.42,Y:0.40)			100

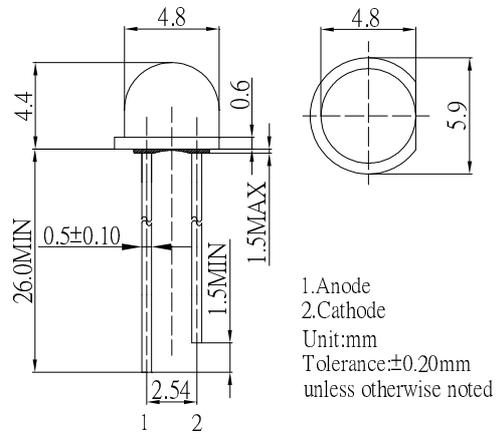
*1 Tolerance of measurements of chromaticity coordinate is ±10%

*2 Tolerance of measurements of dominant wavelength is ±1nm

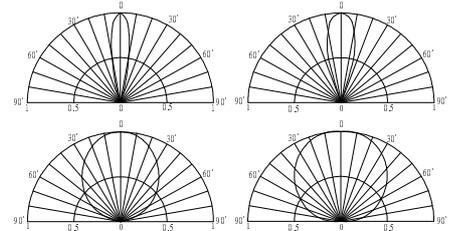
*3 Tolerance of measurements of luminous intensity is ±15%

*4 Tolerance of measurements of forward voltage is ±0.1V

■ Outline Dimension



■ Directivity



■Electrical -Optical Characteristics (Ta=25°C)

Part Number	Color			V _F (V)			I _R (μA)	I _v (mcd)			Wd(nm)*			2θ1/2(deg)
				Min.	Typ.	Max.	Max.	Min.	Typ.	Max.	Min.	Typ.	Max.	Typ.
				I _F =20mA			V _R =5V	I _F =20mA						
OSB5SA5P31A	Blue	B	■	2.8	3.1	3.6	10	1120	1560	-	465	470	475	30
OSG5DA5P31A	Pure Green	PG	■	2.8	3.1	3.6	10	4200	5800	-	520	525	530	30
OSG8NU5P21A	Yellow Green	YG	■	1.8	2.1	2.6	10	150	220	-	565	570	575	20
OSY5LU5P21A	Yellow	Y	■	1.8	2.1	2.6	10	330	500	-	585	590	595	20
OSY5JA5P21A	Yellow	Y	■	1.8	2.1	2.6	10	500	750	-	585	590	595	20
OSY5RU5P31A	Yellow	Y	■	1.8	2.1	2.6	10	500	750	-	585	590	595	30
OSO5JA5P21A	Orange	O	■	1.8	2.1	2.6	10	330	500	-	600	605	610	20
OSR5JA5P21A	Red	R	■	1.8	2.1	2.6	10	500	750	-	620	625	630	20
OSR5RU5P31A	Red	R	■	1.8	2.1	2.6	10	500	750	-	620	625	630	30
OSR6LU5P21A	Red	R	■	1.8	2.1	2.6	10	150	220	-	630	640	650	20
OSB5SA5P33A	Blue	B	■	2.8	3.1	3.6	10	1120	1560	-	465	470	475	30
OSG5DA5P33A	Pure Green	PG	■	2.8	3.1	3.6	10	4200	5800	-	520	525	530	30
OSG8NU5P23A	Yellow Green	YG	■	1.8	2.1	2.6	10	150	220	-	565	570	575	20
OSY5LU5P23A	Yellow	Y	■	1.8	2.1	2.6	10	330	500	-	585	590	595	20
OSY5JA5P23A	Yellow	Y	■	1.8	2.1	2.6	10	500	750	-	585	590	595	20
OSY5RU5P33A	Yellow	Y	■	1.8	2.1	2.6	10	500	750	-	585	590	595	30
OSO5JA5P23A	Orange	O	■	1.8	2.1	2.6	10	330	500	-	600	605	610	20
OSR5JA5P23A	Red	R	■	1.8	2.1	2.6	10	500	750	-	620	625	630	20
OSR5RU5P33A	Red	R	■	1.8	2.1	2.6	10	500	750	-	620	625	630	30
OSR6LU5P23A	Red	R	■	1.8	2.1	2.6	10	150	220	-	630	640	650	20
OSB5SA5PA4A	Blue	B	■	2.8	3.1	3.6	10	220	330	-	465	470	475	100
OSG5DA5PA4A	Pure Green	PG	■	2.8	3.1	3.6	10	750	1120	-	520	525	530	100
OSG8NU5PC4A	Yellow Green	YG	■	1.8	2.1	2.6	10	30	45	-	565	570	575	120
OSY5LU5PC4A	Yellow	Y	■	1.8	2.1	2.6	10	68	100	-	585	590	595	120
OSY5JA5PC4A	Yellow	Y	■	1.8	2.1	2.6	10	100	150	-	585	590	595	120
OSY5RU5PC4A	Yellow	Y	■	1.8	2.1	2.6	10	150	220	-	585	590	595	120
OSO5JA5PC4A	Orange	O	■	1.8	2.1	2.6	10	100	150	-	600	605	610	120
OSR5JA5PC4A	Red	R	■	1.8	2.1	2.6	10	100	150	-	620	625	630	120
OSR5RU5PC4A	Red	R	■	1.8	2.1	2.6	10	150	220	-	620	625	630	120
OSR6LU5PC4A	Red	R	■	1.8	2.1	2.6	10	45	68	-	630	640	650	120

*1 Tolerance of measurements of chromaticity coordinate is ±10%

*2 Tolerance of measurements of dominant wavelength is ±1nm

*3 Tolerance of measurements of luminous intensity is ±15%

*4 Tolerance of measurements of forward voltage is ±0.1V