

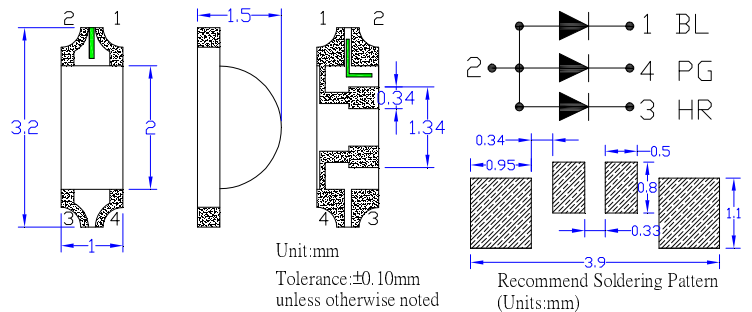
**■Features**

- Bi-Color
- Super high brightness of side view LED
- Compact package outline  
(L x W x T) of 3.2mm x 1.0mm x 1.5mm
- Compatible to IR reflow soldering.

**■Applications**

- Backlighting (switches, keys, etc.)
- Marker lights (e.g. steps, exit ways, etc.)

**■Outline Dimension**



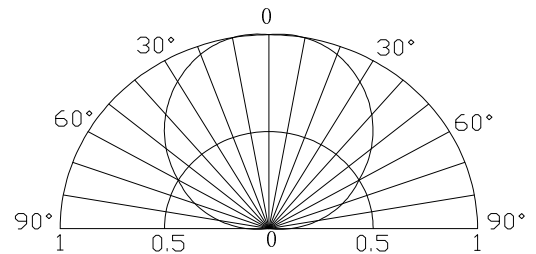
**■Absolute Maximum Rating**

(Ta=25°C)

Item	Symbol	Value		Unit
		HR	BL/PG	
DC Forward Current	I <sub>F</sub>	30	30	mA
Pulse Forward Current*	I <sub>FP</sub>	100	100	mA
Reverse Voltage	V <sub>R</sub>	5	5	V
Power Dissipation	P <sub>D</sub>	78	108	mW
Operating Temperature	Topr	-40 ~ +85		°C
Storage Temperature	Tstg	-40 ~ +85		°C
Lead Soldering Temperature	Tsol	260°C/10sec		-

\*Pulse width Max 0.1ms, Duty ratio max 1/10

**■Directivity**



**■Electrical -Optical Characteristics**

(Ta=25°C)

Part Number	Color			V <sub>F</sub> (V)			I <sub>R</sub> (μA)	I <sub>v</sub> (mcd)			λD (nm)			2θ1/2 (deg)
				Min.	Typ.	Max.	Max.	Min.	Typ.	Max.	Min.	Typ.	Max.	Typ.
				I <sub>F</sub> =20mA			V <sub>R</sub> =5V	I <sub>F</sub> =20mA						
OSTB1204C1E	Red	HR	<span style="color:red">■</span>	1.8	2.1	2.6	10	100	200	-	618	620	625	120
	Pure Green	PG	<span style="color:green">■</span>	2.8	3.1	3.6	10	350	500	-	515	518	524	120
	Blue	BL	<span style="color:blue">■</span>	2.8	3.1	3.6	10	100	200	-	462	466	472	120

\*1 Tolerance of measurements of dominant wavelength is ±1nm

\*2 Tolerance of measurements of luminous intensity is ±15%

\*3 Tolerance of measurements of forward voltage is ±0.1V