

■Features

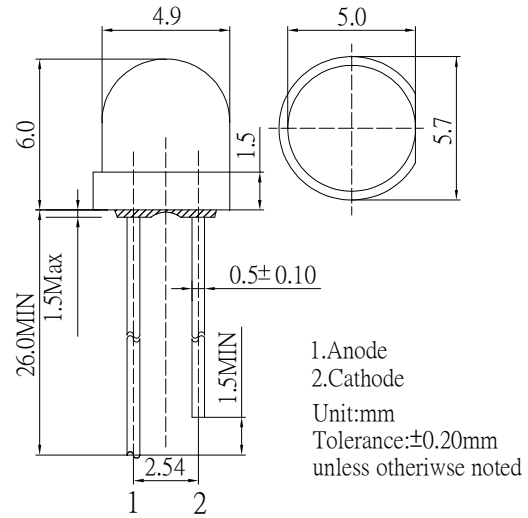
- High Radiant Power LEDs
- 5mm Standard Directivity
- Superior Weather-resistance
- UV Resistant Epoxy
- Long Lifetime Operation
- Color Diffused Type

● Stanley: 5373 Series

■Applications

- Electronic Signs And Signals
- Small Area Illuminations
- Back Lighting
- Other Lighting

■Outline Dimension

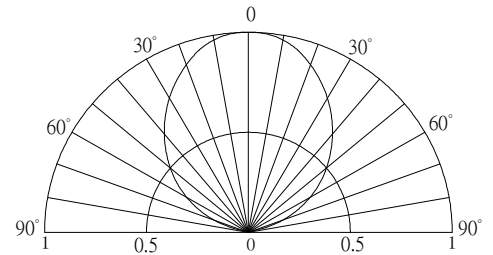


■Absolute Maximum Rating

(Ta=25°C)

Item	Symbol	Value		Unit
		YG/Y/O/R		
DC Forward Current	I _F	30		mA
Pulse Forward Current*	I _{FP}	100		mA
Reverse Voltage	V _R	5		V
Power Dissipation	P _D	78		mW
Operating Temperature	T _{opr}	-30 ~ +85		°C
Storage Temperature	T _{stg}	-40 ~ +100		°C
Lead Soldering Temperature	T _{sol}	260°C/5sec		-

■Directivity



*Pulse width Max.10ms Duty ratio max 1/10

■Electrical -Optical Characteristics

(Ta=25°C)

Part Number	Color		V _F (V)			I _R (μA)	I _v (mcd)			W _d (nm)*			2θ1/2(deg)
			Min.	Typ.	Max.	Max.	Min.	Typ.	Max.	Min.	Typ.	Max.	Typ.
			I _F =20mA			V _R =5V	I _F =20mA						
OSG8NU5WA4A	Yellow Green	YG	1.8	2.1	2.6	10	30	45	-	565	570	575	100
OSY5LU5WA4A	Yellow	Y	1.8	2.1	2.6	10	68	100	-	585	590	595	100
OSY5JA5WA4A	Yellow	Y	1.8	2.1	2.6	10	100	150	-	585	590	595	100
OSO5JA5WA4A	Orange	O	1.8	2.1	2.6	10	150	220	-	600	605	610	100
OSR5JA5WA4A	Red	R	1.8	2.1	2.6	10	100	150	-	620	625	630	100
OSR6LU5WA4A	Red	R	1.8	2.1	2.6	10	45	68	-	630	640	650	100

*1 Tolerance of measurements of dominant wavelength is ±1nm

*2 Tolerance of measurements of luminous intensity is ±15%

*3 Tolerance of measurements of forward voltage is ±0.1V